

Product Datasheet - Technical Specifications



More information in our Web-Shop at ► www.meilhaus.com and in our download section.

Your contact

**Technical and commercial sales, price information,
quotations, demo/test equipment, consulting:**

Tel.: **+49 - 81 41 - 52 71-0**

FAX: **+49 - 81 41 - 52 71-129**

E-Mail: sales@meilhaus.com

Downloads:
www.meilhaus.com/en/infos/download.htm

Meilhaus Electronic GmbH | Tel. **+49 - 81 41 - 52 71-0**
Am Sonnenlicht 2 | Fax **+49 - 81 41 - 52 71-129**
82239 Alling/Germany | E-Mail sales@meilhaus.com

Mentioned company and product names may be registered trademarks of the respective companies. Prices in Euro plus VAT. Errors and omissions excepted.
© Meilhaus Electronic.

www.meilhaus.de

- Broad band, high directivity, low loss.
- Coaxial directional coupler frequency range from 100kHz to 67GHz.
- WG directional coupler frequency range from 2.5GHz to 325GHz.
- Maximum input power up to 400W.

Coaxial Directional Couplers

Model	Frequency range (GHz)	Coupling (dB)	Directivity (dB Min)	Return loss (dB Min)	Insertion loss (dB Max)	Power rating (average/peak)	Connector
AV70601	2...40	15.5±3	15	15	1.8	2w/1kw	2.4mm(f)
AV70602	2...26.5	15±2	16	16	1.5	2w/1kw	3.5mm(f)
AV70603	2...40	12.5±1.3	11	11	2.0	10w/3kw	2.4mm(f)
AV70604	2...20	17±2	13	15	1.5	10w/3kw	3.5mm(f)
AV80601	2...8	20±2	24	16	1	100w/1kw	Type-N(f)
	8...18		21				
AV80602	2...8	30±2	24	16	1	100w/1kw	Type-N(f)
	8...18		21				
AV80603	2...8	40±2	24	16	1	100w/1kw	Type-N(f)
	8...18		21				
AV80604	2...18	30±2	12	20	1	400w/3kw	Type-N(f)
AV80617	18...26.5	40±1	11	16	0.6	10w/1kw	3.5mm(f)
AV80617E	18...26.5	31±1	10	17	0.5	60w/1kw	3.5mm(f)
AV82603	0.0001...0.5	60±2	16	17	1	120w/1kw	Primary line 7/16 type (f), auxiliary arm Type-N (f)
AV82604	0.5-2.5	60±2	16	17	1	400w/1kw	Primary line 7/16 type(f), auxiliary arm Type-N (f)
AV82617	3...67	13.5±3.5	12	11	2.7	1w/0.5kw	1.85mm (f)

WG Directional Couplers

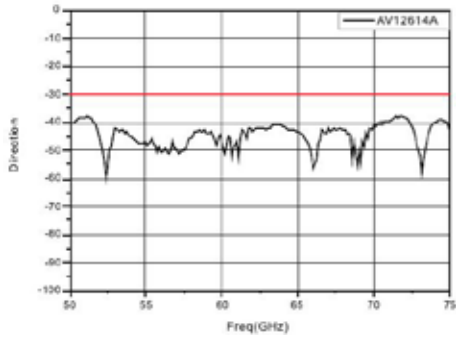
Model	Frequency range (GHz)	Coupling (dB)	Directivity (dB Min)	Return loss (dBMin)	Connector
AV12611	26.5...40	10	36	30	WR28
AV12611A		20		30	
AV12612	33...50	10	34	30	WR22
AV12612A		20		30	
AV12613	40...60	10	32	30	WR19
AV12613A		20		30	
AV12614	50...75	10	30	30	WR15
AV12614A		20		30	
AV12614B		10		30	
AV12615	75...110	10	30	28	WR10
AV12615A		20		28	
AV12615B		10		28	
AV82610	110...170	10	20	20	WR6
AV82610A		10		20	

AV82601	2.5...7.5	60	20	20	WRD250
AV82602	7.5...18	60	20	20	WRD750
AV82611	170...220	10	22	24	WR5
AV82612	220...325	10	22	22	WR3
AV82613	8...12.4	50	30	32	WR90
AV82614	12.4...18	50	30	32	WR62
AV82615	18...26.5	50	30	32	WR42
AV82616	26.5...40	50	30	32	WR28

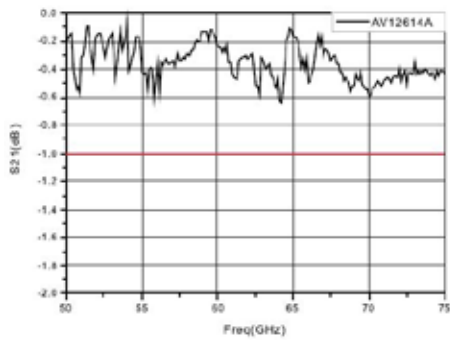
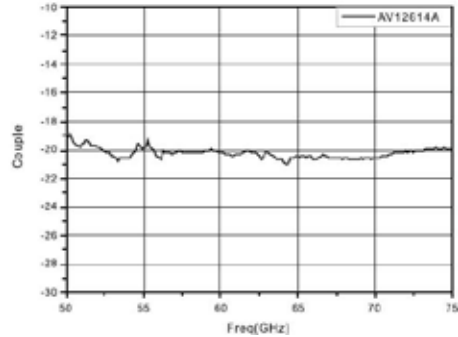
RF Bridges

Model	Frequency range [GHz]	Coupling [dB]	Directivity [dB Min]	Return loss [dB Min]	Insertion loss [dB Max]	Power rating [average/peak]	Connector
AV80613	0.01...20	15±1.5	20	16	3.2	1w/10w	3.5mm(f)
AV80615	0.001...40	17.5±2	14	12	4.0	1w/10w	2.4mm(f)
AV80616	0.01...26.5	17±1.5	18	16	3.5	1w/10w	3.5mm(f)
AV80622B	0.0001...9	16.5±1.5	20	18	3.2	1w/10w	3.5mm(f)
AV80622F	0.01...40	17.5±2	16	14	4.0	1w/10w	2.4mm(f)

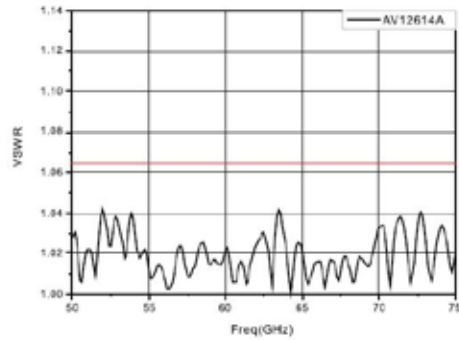
AV12614A



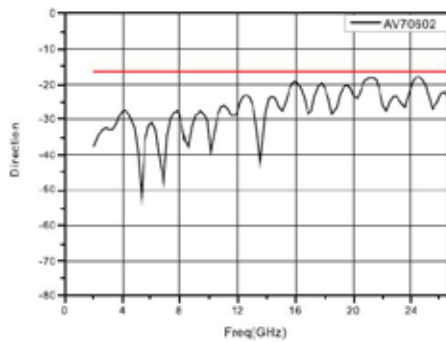
Directivity testing curve



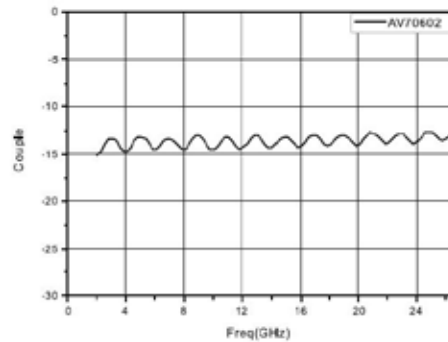
Straight SWR testing curve



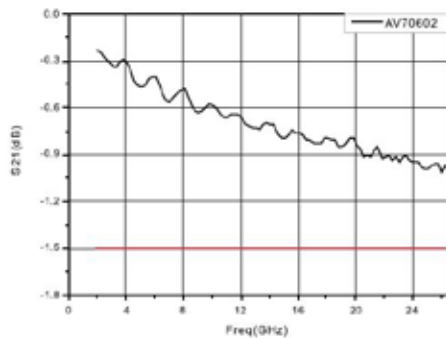
AV70601



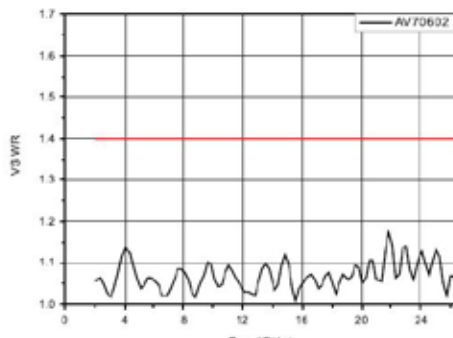
Directivity testing curve



Coupling testing curve



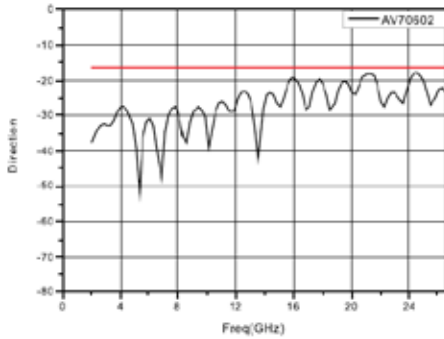
Straight insertion loss testing curve



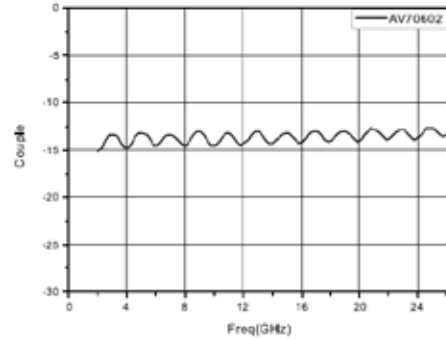
Straight SWR testing curve

Typical Testing Curves

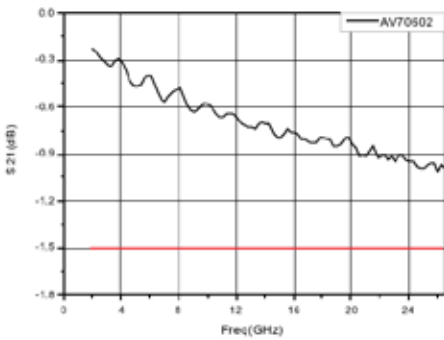
AV70602



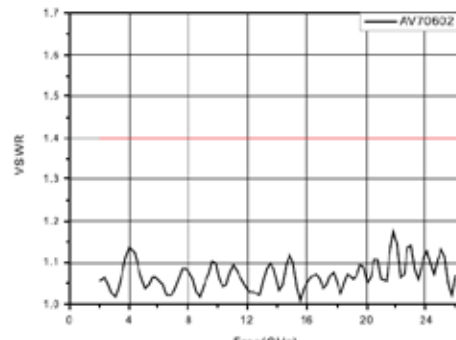
Directivity testing curve



Coupling testing curve

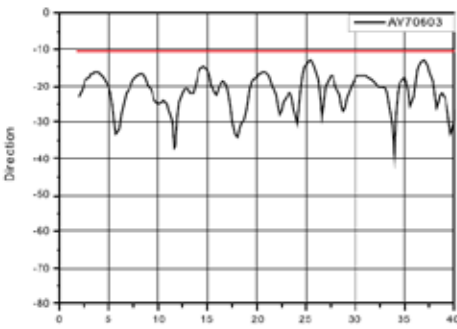


Straight insertion loss testing curve

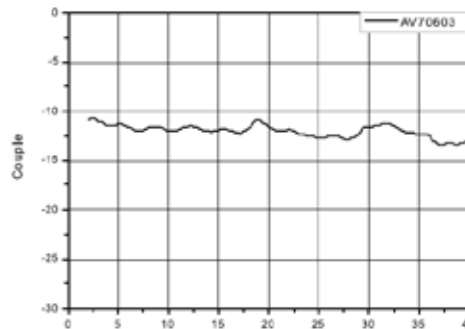


Straight SWR testing curve

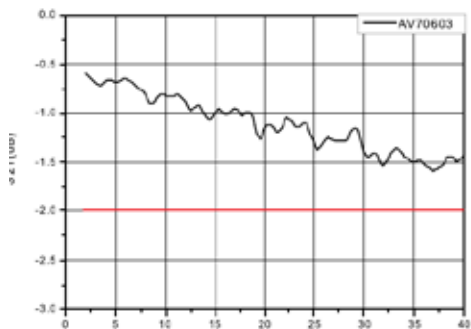
AV70603



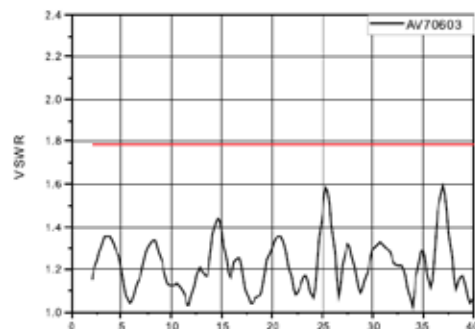
Directivity testing curve



Coupling testing curve

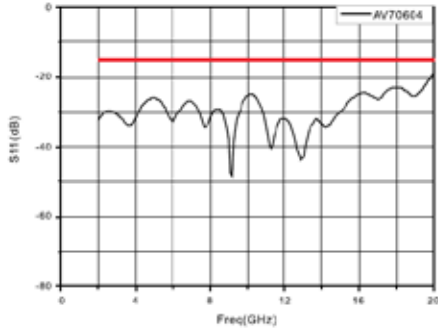


Straight insertion loss testing curve

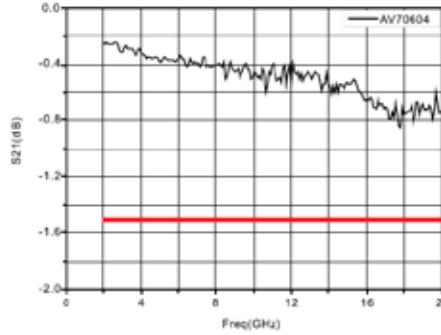


Straight SWR testing curve

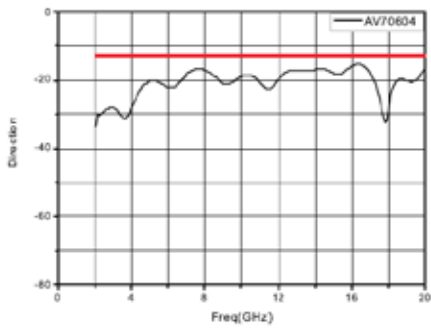
AV70604



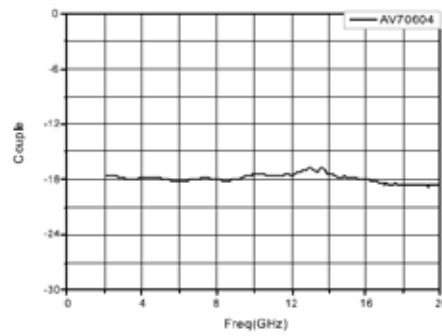
Straightreturn loss testing curve



Straight insertion loss testing curve

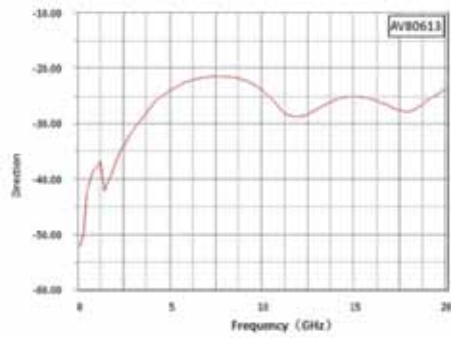


Directivity testing curve

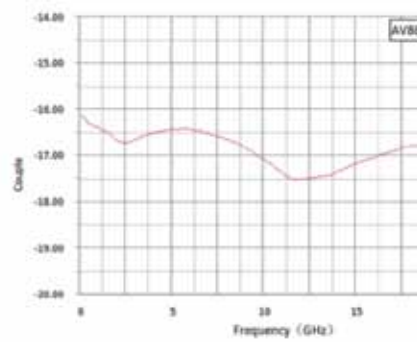


Coupling testing curve

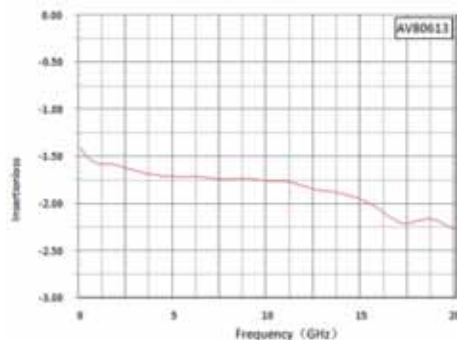
AV80613



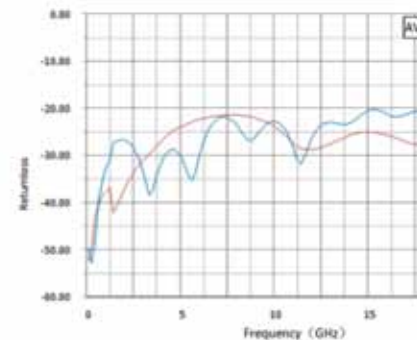
Directivity testing curve



Coupling testing curve



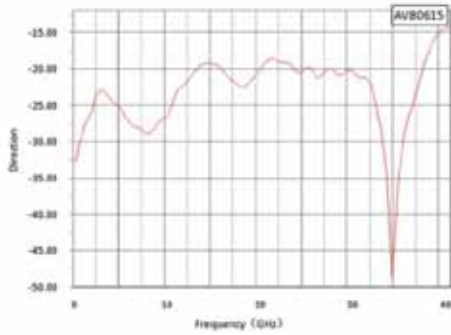
Straight insertion loss testing curve



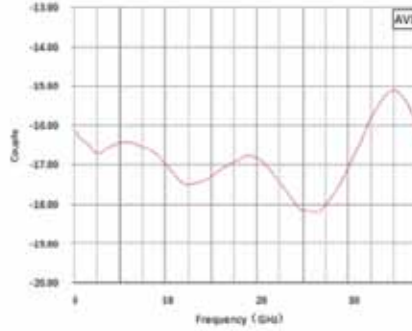
Straightreturn loss testing curve

Typical Testing Curves

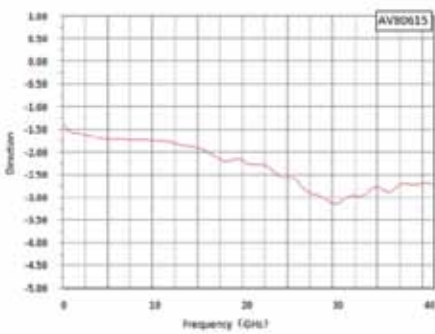
AV80615



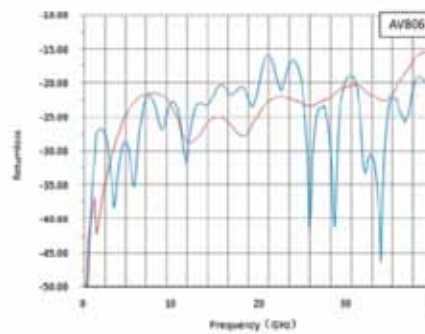
Directivity testing curve



Coupling testing curve

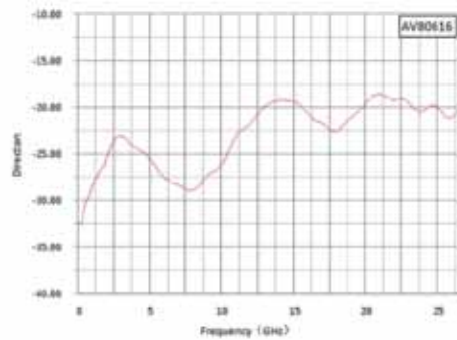


Straight insertion loss testing curve

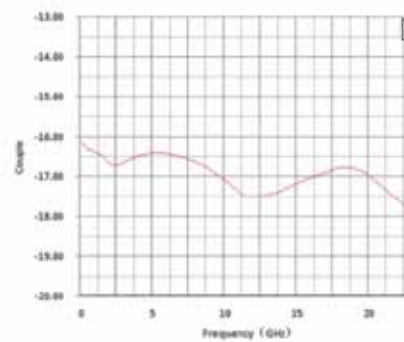


Straightreturn loss testing curve

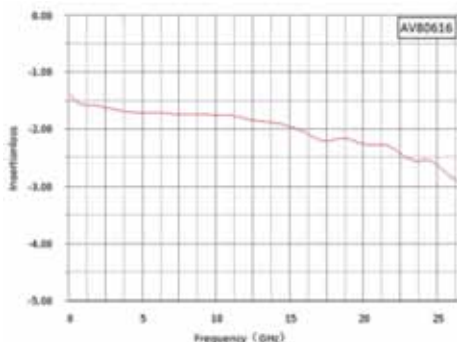
AV80616



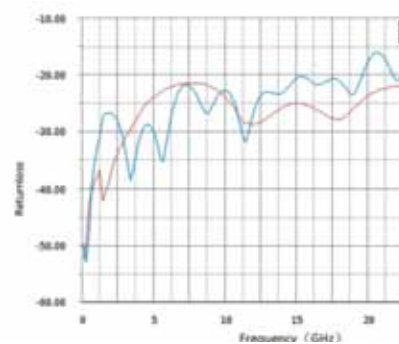
Directivity testing curve



Coupling testing curve



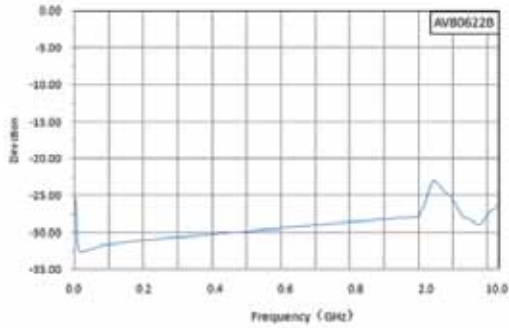
Straight insertion loss testing curve



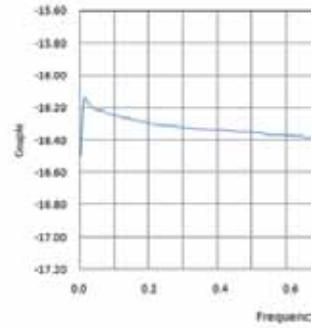
Straightreturn loss testing curve

Typical Testing Curves

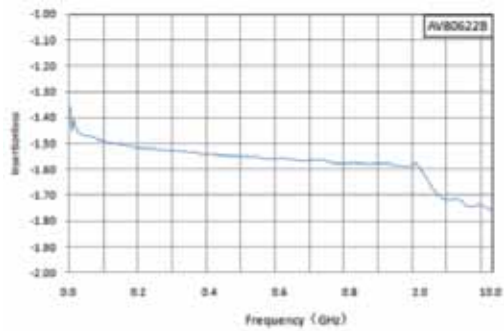
AV80622B



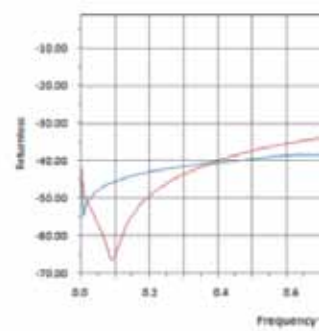
Directivity testing curve



Coupling testing curve

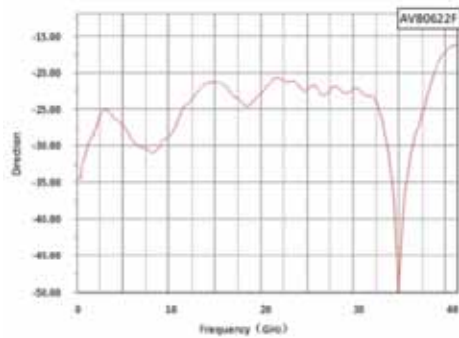


Straight insertion loss testing curve

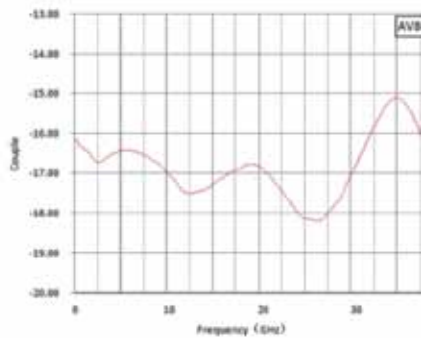


Straightreturn loss testing curve

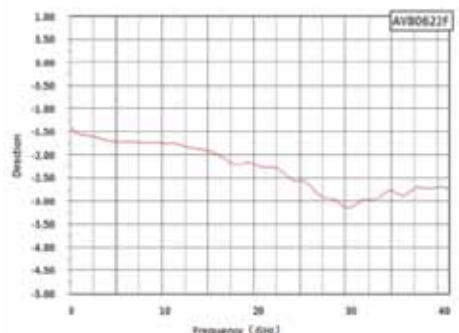
AV80622F



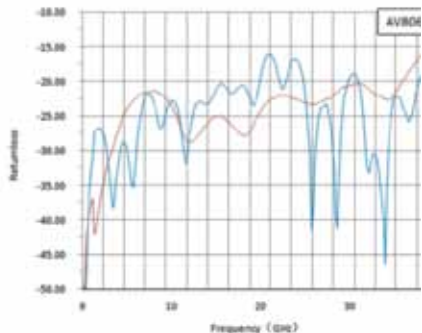
Directivity testing curve



Coupling testing curve

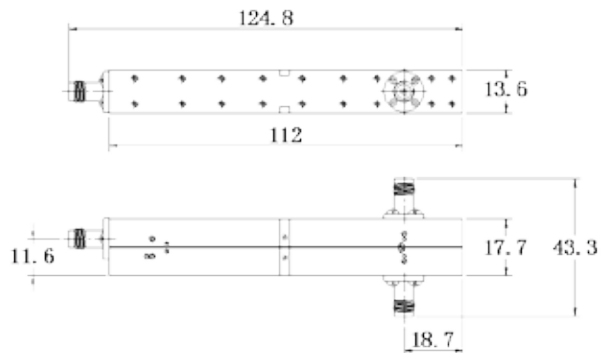


Straight insertion loss testing curve

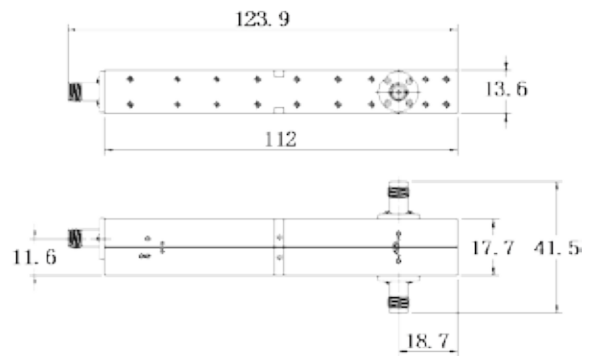


Straightreturn loss testing curve

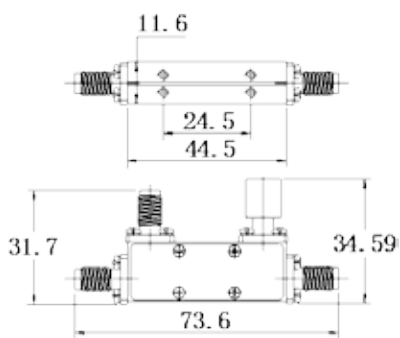
AV70601



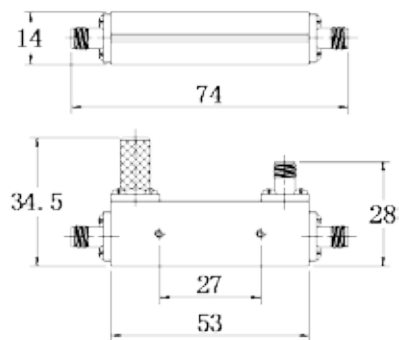
AV70602



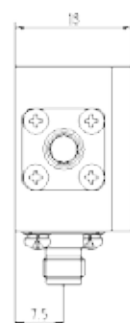
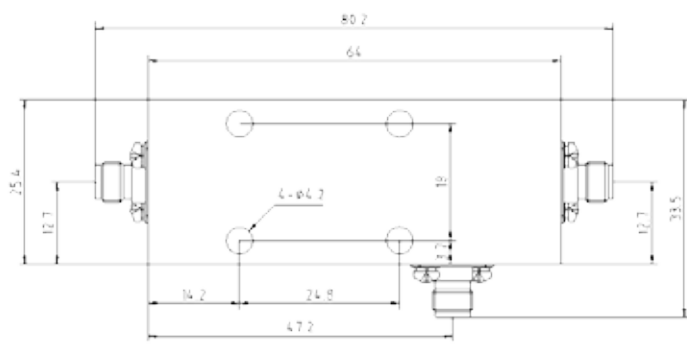
AV70603



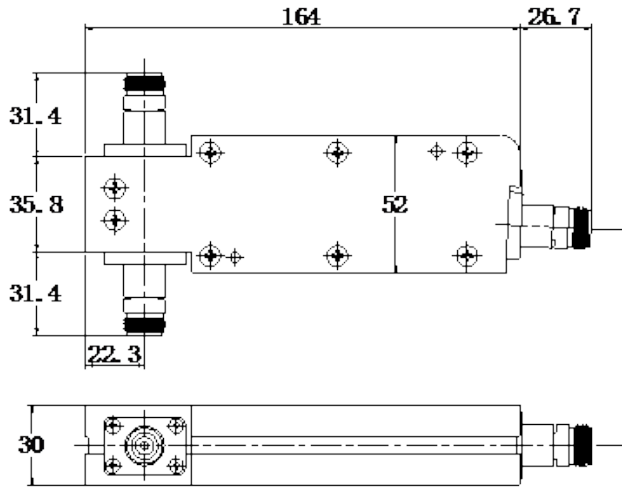
AV70604



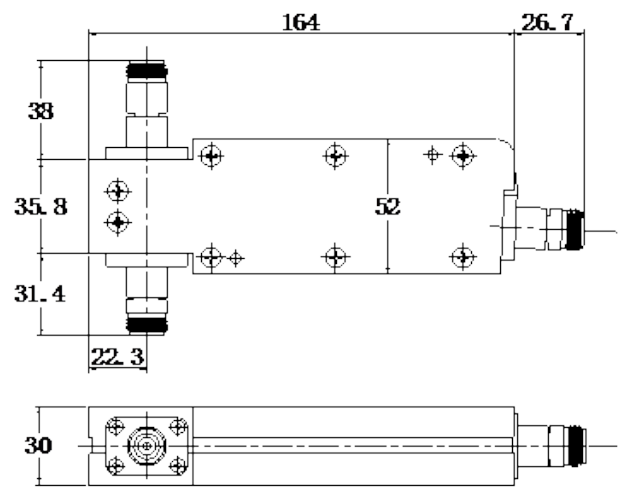
AV70607



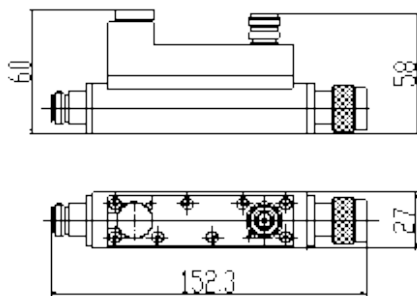
AV80601



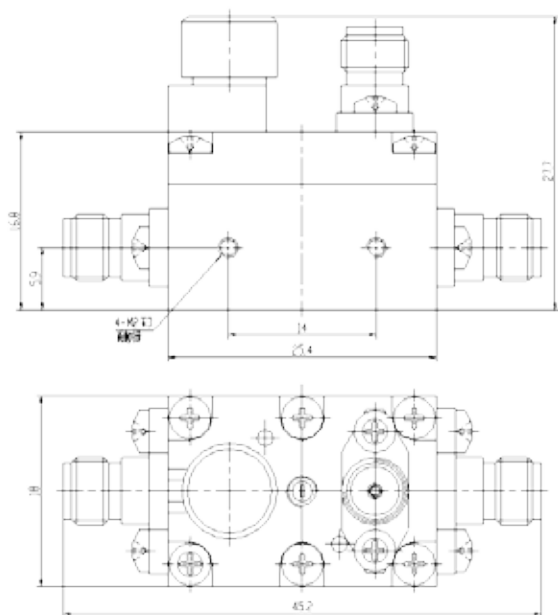
AV80602/AV80603



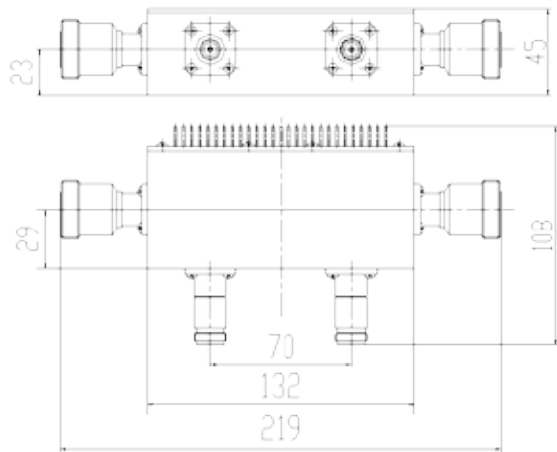
AV80604



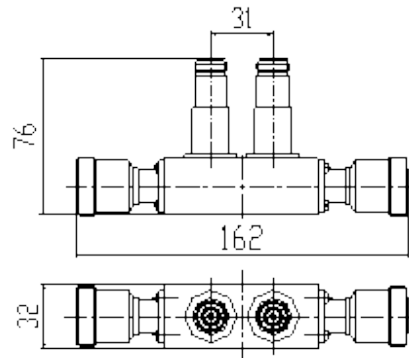
AV80617E



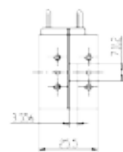
AV82603



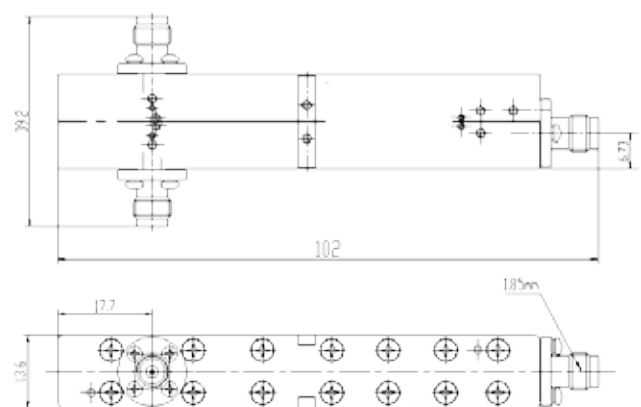
AV82604



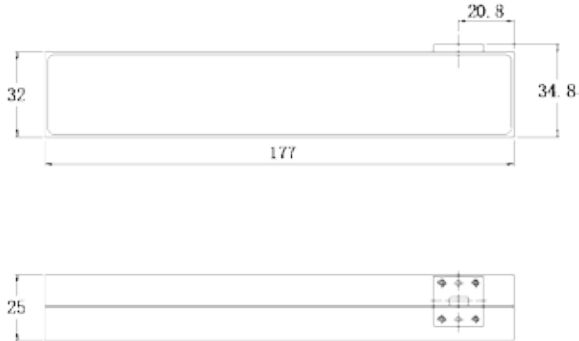
AV82616



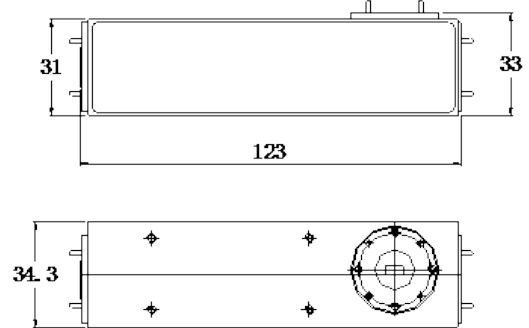
AV82617



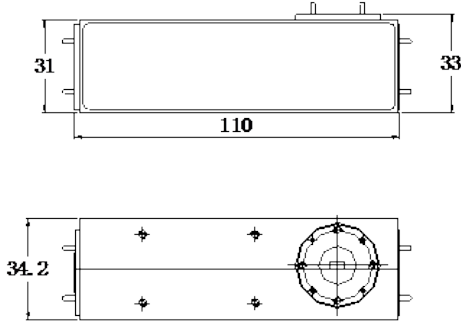
AV12611/AV12611A, AV82616



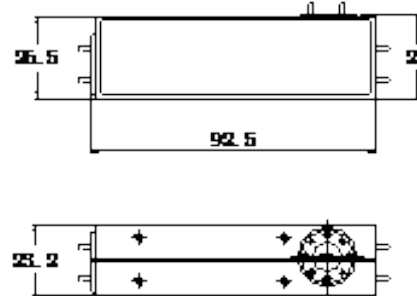
AV12612/AV12612A



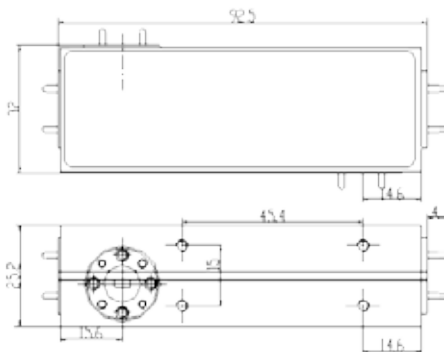
AV12613/AV12613A



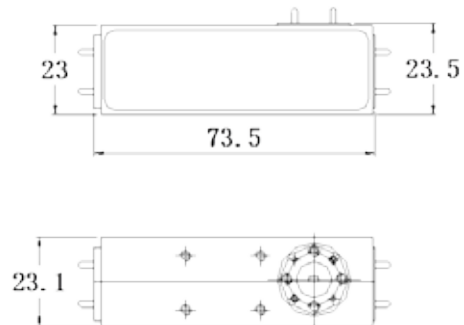
AV12614/AV12614A



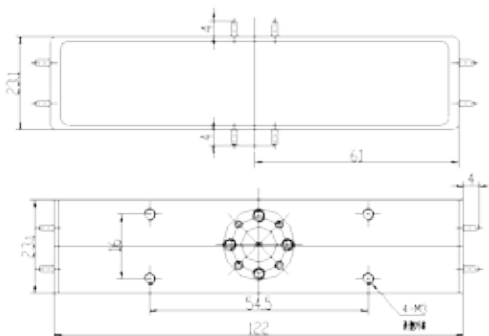
AV12614B



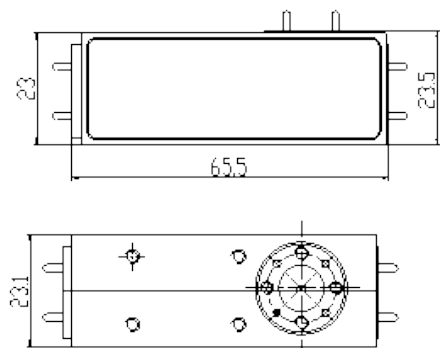
AV12615/AV12615A



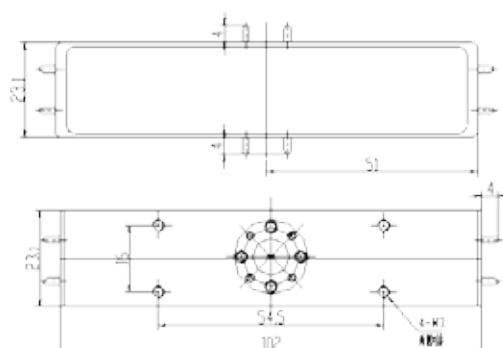
AV12615B



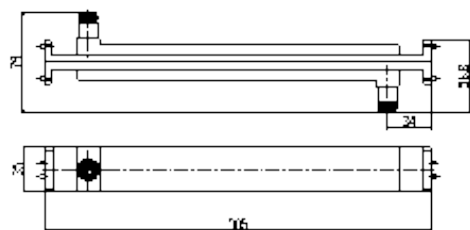
AV82610



AV82610A



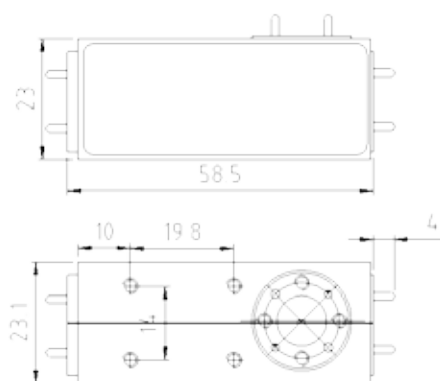
AV82601



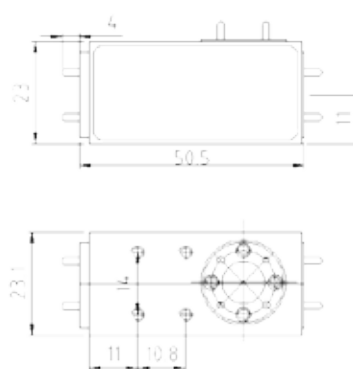
AV82602



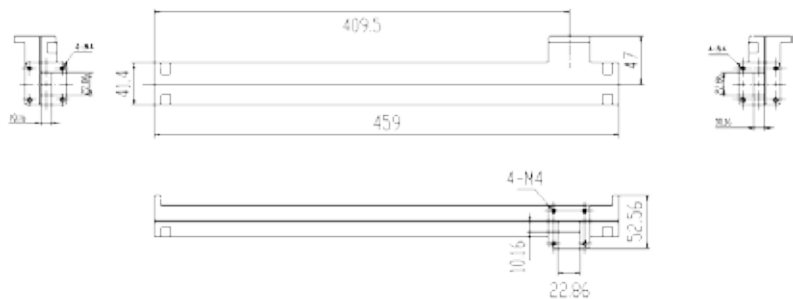
AV82611



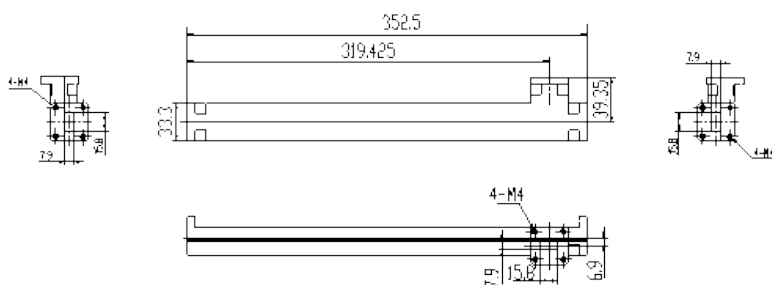
AV82612



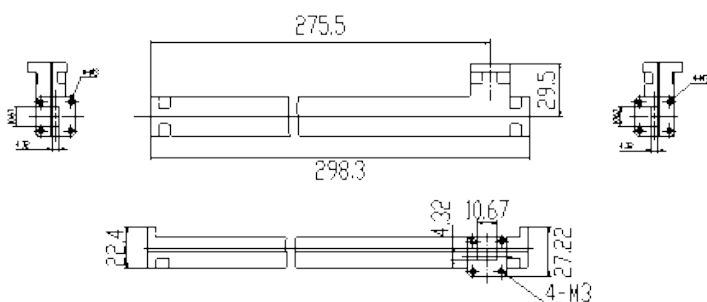
AV82613



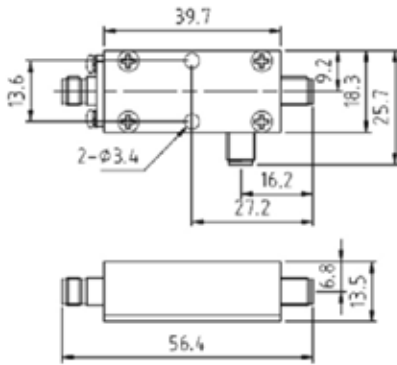
AV82614



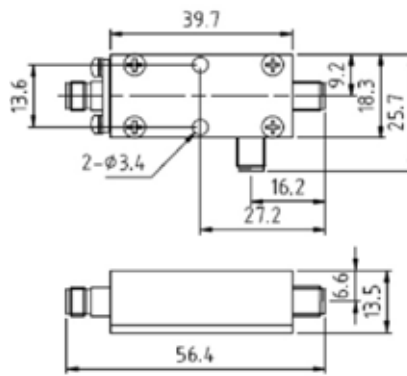
AV82615



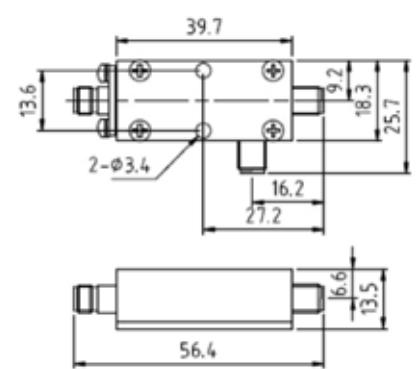
AV80613 - 3.5mm (f)



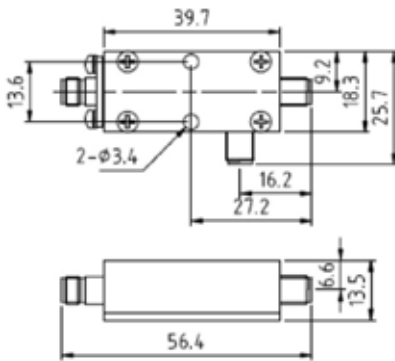
AV80615 - 2.4mm (f)



AV80616 - 3.5mm (f)



AV80622B - 3.5mm (f)



AV80622F - 2.4mm (f)

