

Product Datasheet - Technical Specifications



More information in our Web-Shop at ► www.meilhaus.com

Your contact

Technical and commercial sales, price information,
quotations, demo/test equipment, consulting:

Tel.: **+49 - (0)81 41 - 52 71-0**

FAX: **+49 - (0)81 41 - 52 71-129**

E-Mail: sales@meilhaus.com

Meilhaus Electronic GmbH
Am Sonnenlicht 2
82239 Alling/Germany

Tel. **+49 - (0)81 41 - 52 71-0**
Fax **+49 - (0)81 41 - 52 71-129**
E-Mail sales@meilhaus.com

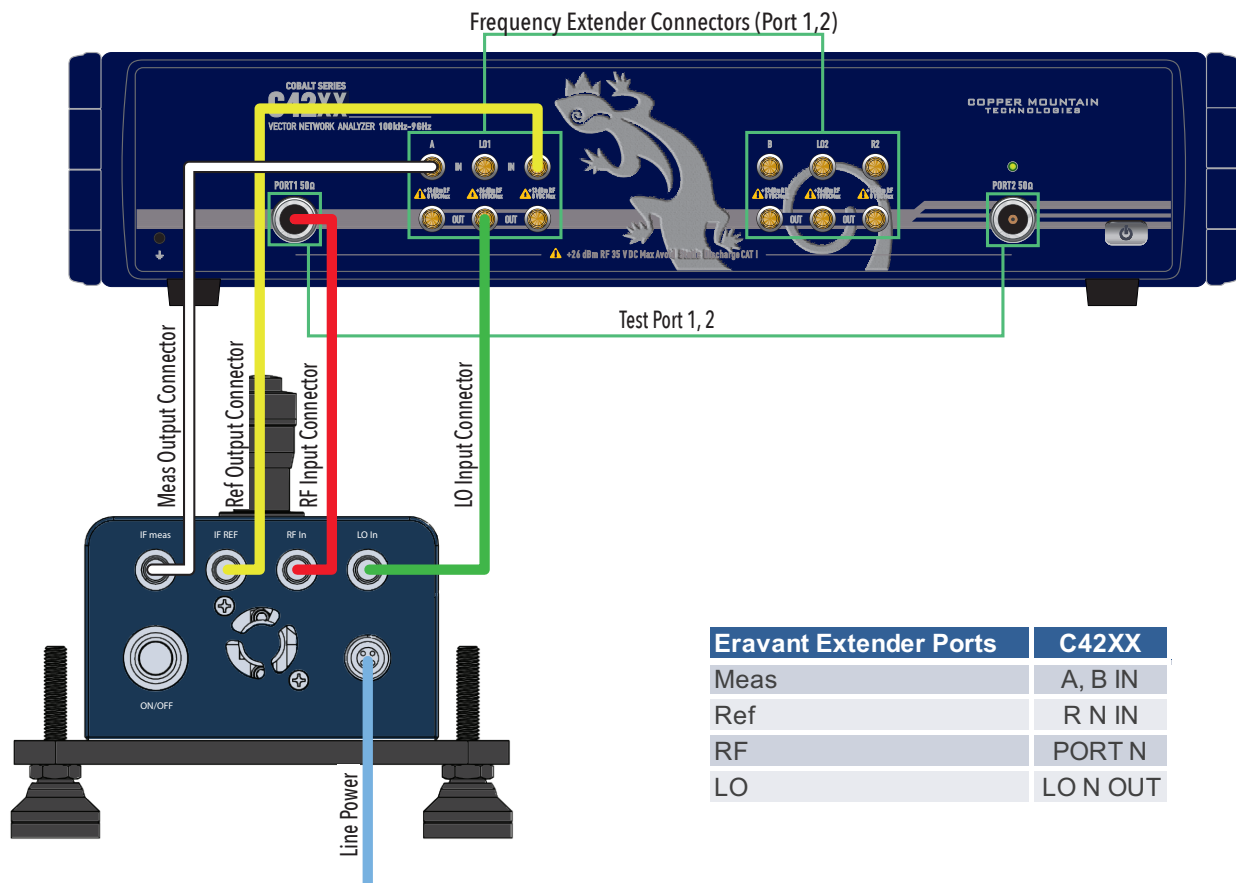
Mentioned company and product names may be registered trademarks of the respective companies. Errors and omissions excepted. © Meilhaus Electronic.

2-Port Waveguide Extender Connection Guide



What's Required:

- C42XX with S2VNA_v23.2 or newer software
- (2) FET-WR15, FET-WR12, or FET-WR10
- Set of RF cables (4 IF cables, 4 RF-LO cables)
- (2) DC Power Supplies
- WR-15, WR-12, or WR-10 cal kit
- Windows PC/Laptop



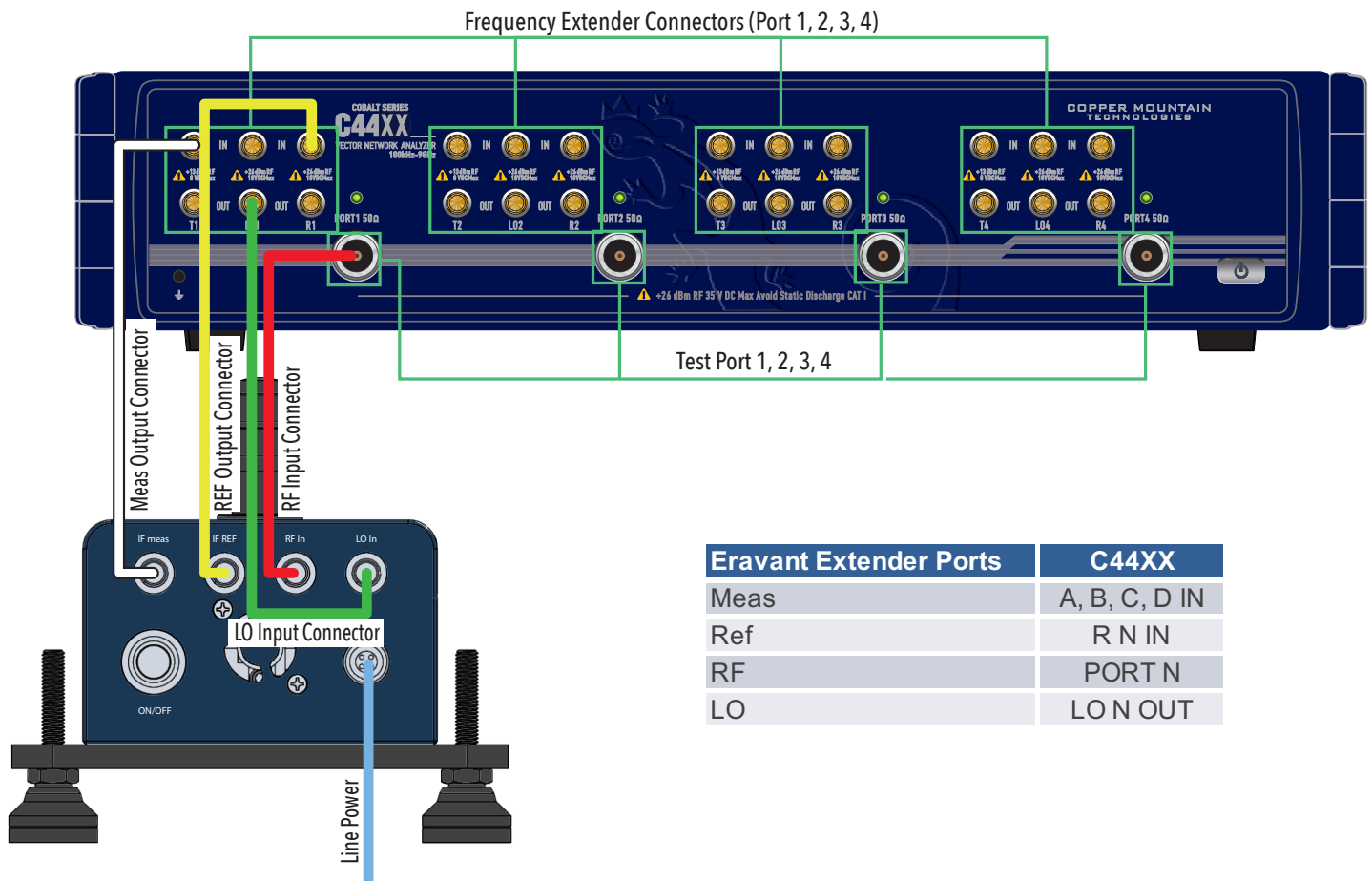
IF TEST CobaltFx - A IN C42XX, IF REF CobaltFx - R1 IN C42XX (SMA cables)
 RF INPUT CobaltFx- PORT 1 C42XX, LO INPUT CobaltFx- LO 1 OUT C42XX (3.5 mm cables)
 USB cable for C42XX - laptop (omitted here)

Connect 2" ruggedized waveguide sections to waveguide port of each frequency extender

4-Port Waveguide Extender Connection Guide

What's Required:

- C44XX with S4VNA_v23.2 or newer software
- (4) FET-WR15, FET-WR12, or FET-WR10
- (2) Sets of RF cables (4 IF cables, 4 RF-LO cables)
- (4) Power Supplies
- WR-15, WR-12, or WR-10 cal kit
- Windows PC/Laptop



IF TEST CobaltFx - A IN C44XX, IF REF CobaltFx - R1 IN C44XX (SMA cables)
 RF INPUT CobaltFx- PORT 1 C44XX, LO INPUT CobaltFx- LO 1 OUT C44XX (SMA cables)
 USB cable for C44XX - laptop (omitted here)

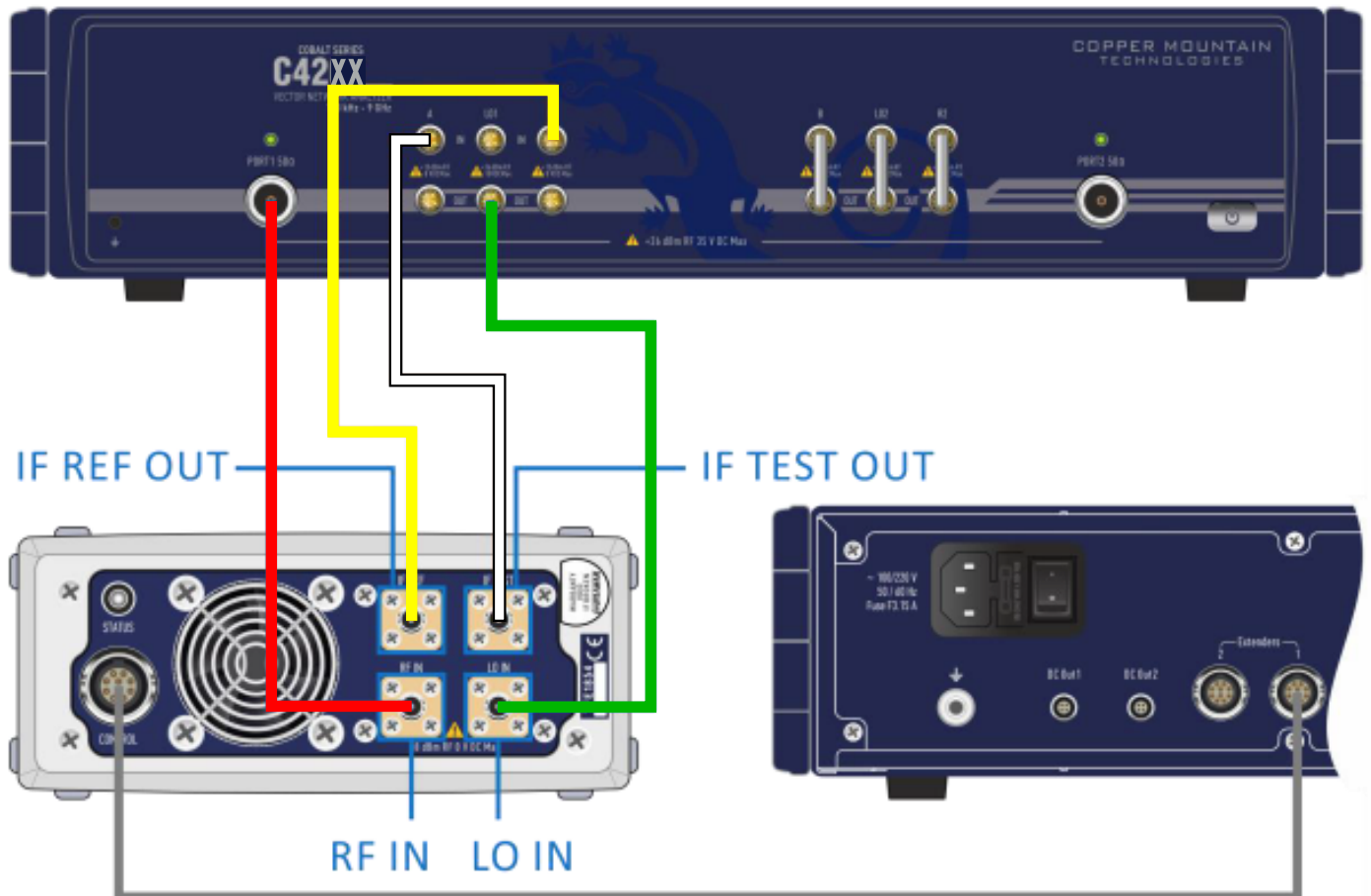
Connect 2" ruggedized waveguide sections to waveguide port of each frequency extender

2-Port Coaxial Extenders Connection Guide



What's Required:

- C42XX with S2VNA_v18.2.0 or newer software
- (2) FET1854 Modules
- Set of RF cables (4 IF cables, 2 RF cables, 2 LO cables)
- (2) DC cables
- T4311 or Z5411 calibration kit
- Windows PC/Laptop



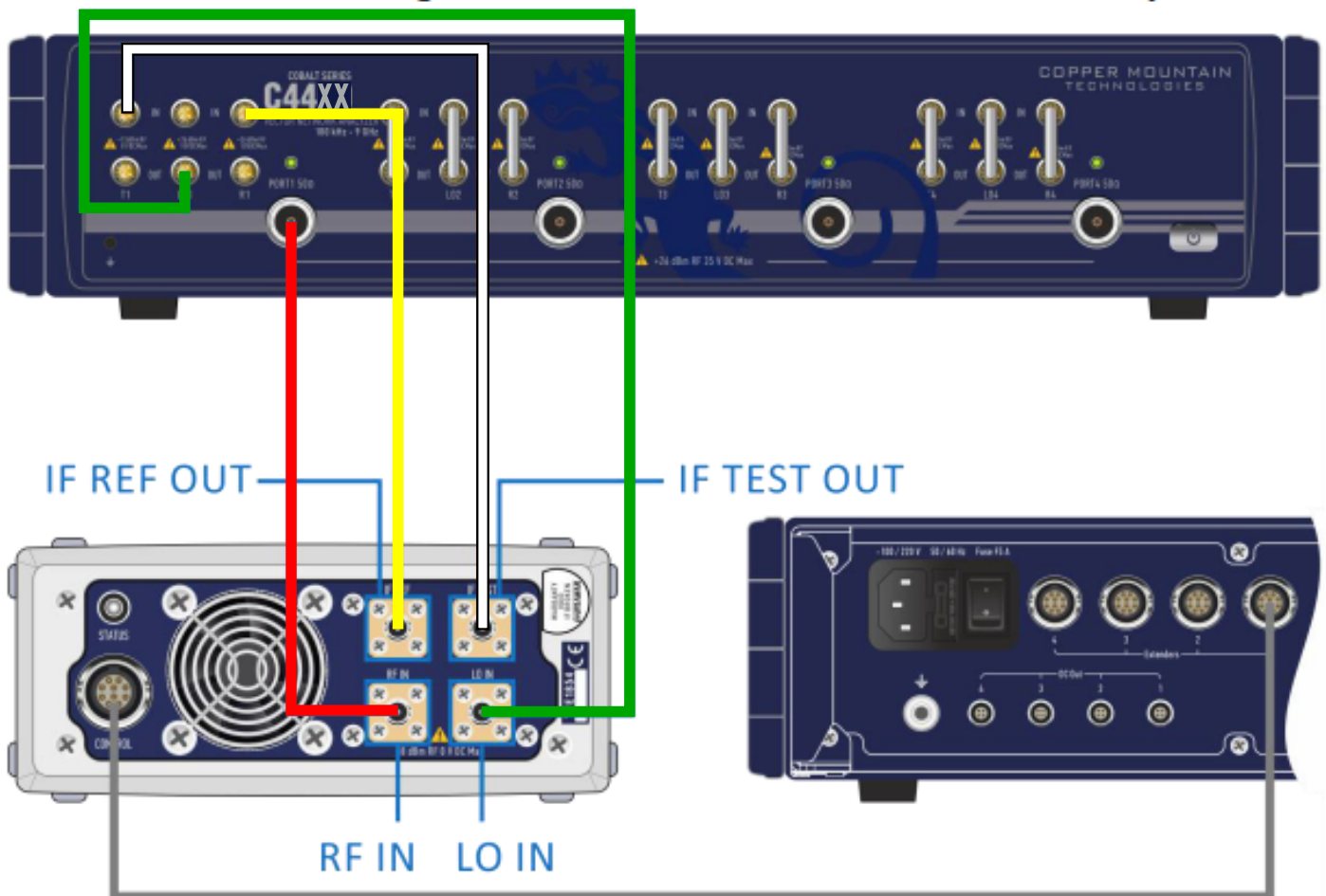
IF TEST CobaltFx - A IN C42XX, IF REF CobaltFx - R1 IN C42XX (N to SMA cables)
RF IN CobaltFx- PORT 1 C42XX, LO IN CobaltFx- LO 1 OUT C42XX (SMA cables)
USB cable for C42XX - laptop (omitted here)

4-Port Coaxial Extenders Connection Guide



What's Required:

- C44XX with S2VNA_v18.2.0 or newer software
- (4) FET1854 Modules
- (2) Sets of RF cables (8 IF cables, 4 RF cables, 4 LO cables)
- (4) DC cables
- T4311 or Z5411 calibration kit
- Windows PC/Laptop



IF TEST CobaltFx - A IN C44XX, IF REF CobaltFx - R1 IN C44XX (N to SMA cables)
RF IN CobaltFx- PORT 1 C44XX, LO IN CobaltFx- LO 1 OUT C44XX (SMA cables)
USB cable for C44XX - laptop (omitted here)