

Product Datasheet - Technical Specifications



More information in our Web-Shop at ► www.meilhaus.com

Your contact

Technical and commercial sales, price information,
quotations, demo/test equipment, consulting:

Tel.: **+49 - (0)81 41 - 52 71-0**

FAX: **+49 - (0)81 41 - 52 71-129**

E-Mail: sales@meilhaus.com

Meilhaus Electronic GmbH
Am Sonnenlicht 2
82239 Alling/Germany

Tel. **+49 - (0)81 41 - 52 71-0**
Fax **+49 - (0)81 41 - 52 71-129**
E-Mail sales@meilhaus.com

Mentioned company and product names may be registered trademarks of the respective companies. Errors and omissions excepted. © Meilhaus Electronic.



TA52 Magnetic Meter Mount

P/N: TA52

Copyright

© 2020, FLIR Systems, Inc.

All rights reserved worldwide. Names and marks appearing herein are either registered trademarks or trademarks of FLIR Systems and/or its subsidiaries. All other trademarks, trade names or company names referenced herein are used for identification only and are the property of their respective owners.

Document identity

Publ. No.: TA52

Commit: 64530

Language: en-US

Modified: 2020-03-17

Formatted: 2020-03-18

Website

<http://www.flir.com>

Customer support

<http://support.flir.com>

Disclaimer

Specifications subject to change without further notice. Camera models and accessories subject to regional market considerations. License procedures may apply. Products described herein may be subject to US Export Regulations. Please refer to exportquestions@flir.com with any questions.



General description	
Part number	TA52
Part name	Magnetic Meter Mount
Securely mount your FLIR Clamp Meter to an electrical panel or other magnetic surface for convenient test probe measurements. The low-profile TA52 firmly attaches to the meter's tripod mount and stores easily.	

General information	
Warranty	https://www.flir.com/testwarranty

Meter physical data	
Screw size	1/4"-20 UNC
Magnet strength	12.2–12.5 kg
Weight	45 g (1.6 oz.) approx.
Dimensions (L x W x D)	52.40 x 50.40 x 10.33 mm (2.1 x 2.0 x 0.4 in.)
Color	Black

Shipping information	
Packaging, type	Color, retail box
Packaging, Contents	TA52 Magnetic Meter Mount and Instruction sheet
Each Weight	0.2 kg
Each Dimensions (H x W x L)	16.8 x 7.8 x 2.6 cm
Master Carton Weight	5.5 kg
Master Carton Dimensions (H x W x L)	20.3 x 29.8 x 36.4 cm
Master Carton Quantity	24 (inner of 12)
EAN-13	0793950377529
UPC-12	793950377529
Country of Origin	China
Tariff Code	9030908822

Technical support	
Website	http://support.flir.com

Compatible with the following products:

- CM174; FLIR CM174: Imaging 600A AC/DC Clamp Meter with IGM
- CM275; FLIR CM275: Industrial Thermal Imaging Clamp Meter with Datalogging, Wireless Connectivity, and IGM
- CM72; FLIR CM72: Commercial 600A AC Clamp Meter



TA52 Magnetic Meter Mount

P/N: TA52

© 2020, FLIR Systems, Inc.

#TA52; r. 64530; en-US

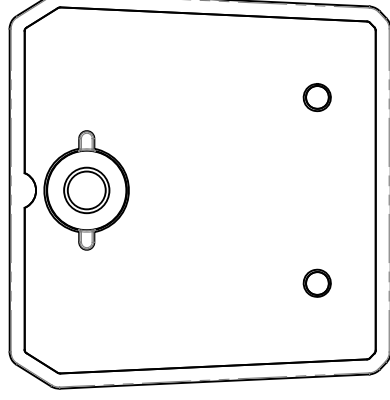
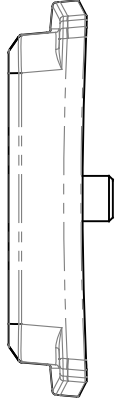
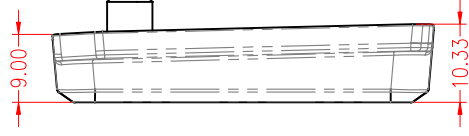
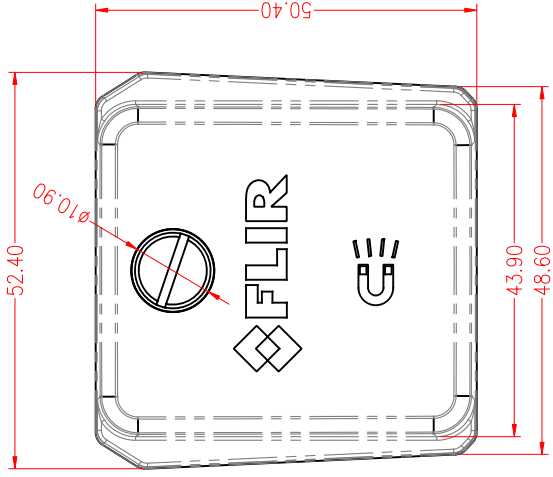
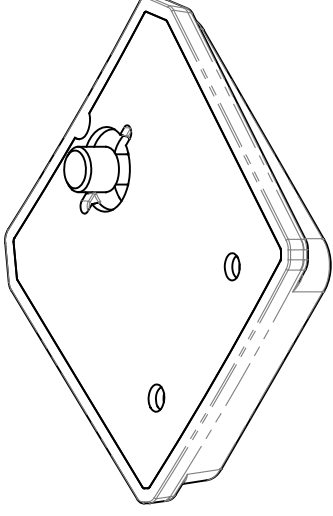
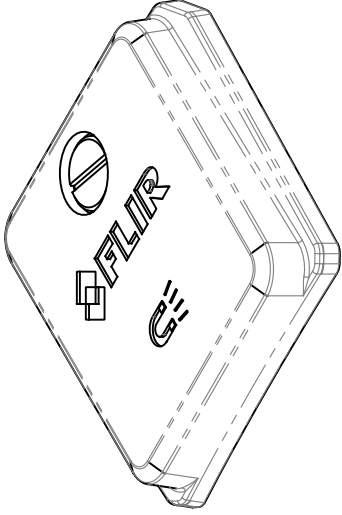
- CM74; FLIR CM74: Commercial 600A AC/DC Clamp Meter
- DM284; FLIR DM284: Imaging Multimeter with IGM
- DM285; FLIR DM285: Industrial Thermal Imaging Multimeter with Datalogging, Wireless Connectivity, and IGM
- DM90; FLIR DM90
- DM91; FLIR DM91: Industrial TRMS Multimeter with Datalogging and Wireless Connectivity
- DM92; FLIR DM92: Industrial Digital Multimeter with LoZ and VFD Mode
- DM93; FLIR DM93: True RMS Industrial Multimeter

FLIR TA52

Magnet strength info.: 12.2~12.5 KGs

Weight: 45g (Approx)

Tripod screw size and type: 1/4"-20 UNC



TITLE:

FLIR TA52 Magnet_Mount

DWG NO.

A4

SCALE:0:1