

Product Datasheet - Technical Specifications



More information in our Web-Shop at ► www.meilhaus.com

Your contact

Technical and commercial sales, price information,
quotations, demo/test equipment, consulting:

Tel.: **+49 - (0)81 41 - 52 71-0**

FAX: **+49 - (0)81 41 - 52 71-129**

E-Mail: sales@meilhaus.com

Meilhaus Electronic GmbH
Am Sonnenlicht 2
82239 Alling/Germany

Tel. **+49 - (0)81 41 - 52 71-0**
Fax **+49 - (0)81 41 - 52 71-129**
E-Mail sales@meilhaus.com

Mentioned company and product names may be registered trademarks of the respective companies. Errors and omissions excepted. © Meilhaus Electronic.

P/N: TG54

Copyright

© 2019, FLIR Systems, Inc.

All rights reserved worldwide. Names and marks appearing herein are either registered trademarks or trademarks of FLIR Systems and/or its subsidiaries. All other trademarks, trade names or company names referenced herein are used for identification only and are the property of their respective owners.

Document identity

Publ. No.: TG54
 Commit: 55966
 Language: en-US
 Modified: 2019-02-25
 Formatted: 2019-07-31

Website

<http://www.flir.com>

Customer support

<http://support.flir.com>

Disclaimer

Specifications subject to change without further notice. Camera models and accessories subject to regional market considerations. License procedures may apply. Products described herein may be subject to US Export Regulations. Please refer to exportquestions@flir.com with any questions.



General description	
Part number	TG54
Part name	Spot IR Thermometer
<p>The FLIR TG54 Spot IR Thermometer provides non-contact surface temperature readings so you can quickly and easily take measurements in places that are out of reach. Providing a distance-to-spot ratio of up to 24:1, the FLIR TG54 can measure small targets from a safe distance. New mode options give you control to view your current reading and the last two temperature readings simultaneously. The FLIR TG54 has a color screen that makes it easy to navigate and select settings, plus adds visibility and efficiency to the advanced feature set. The FLIR TG54 is your go-to, pocket-sized device for efficient temperature measurement.</p>	
<p>Measure high and low:</p> <ul style="list-style-type: none"> • Easily take measurements in hard-to-reach spots at a distance. • Take non-contact surface temperature measurements with an infrared sensor. • 24:1 spot ratio to measure small targets from a safe distance. • Easily identify measurement locations with built-in laser targeting. 	
<p>Simple to use:</p> <ul style="list-style-type: none"> • Color display, easy to navigate. • Graphical menu structure allows easy access to settings. • Easy emissivity selection with predetermined levels and custom adjustment. • Stunning visual high and low alarms. 	
<p>Convenient and rugged design:</p> <ul style="list-style-type: none"> • Portable, compact size. • Rugged, industrial design that can withstand a 3 m drop. • Bright worklight to help you see your target in poor lighting conditions. • Tool-less battery compartment. 	
Spot infrared (IR) thermometer	
IR temperature range	-30°C to +650°C (-22°F to +1202°F)
IR temperature accuracy	-30 to -10°C (-22 to +14°F): ±3.0°C (±5.4°F), -10 to <0°C (14 to <32°F): ±2.0°C (±3.6°F), 0-650°C (32-1202°F): ±1.0°C (±1.8°F) or ±1.0% (whichever is greater)
Emissivity	4 presets plus a custom setting (0.10-0.99)
Distance to spot	24:1
Field of view angle	0.04°
Resolution	0.1°C (0.1°F ≤ 999°F; 1°F ≥ 1000°F)



FLIR TG54: Spot IR Thermometer

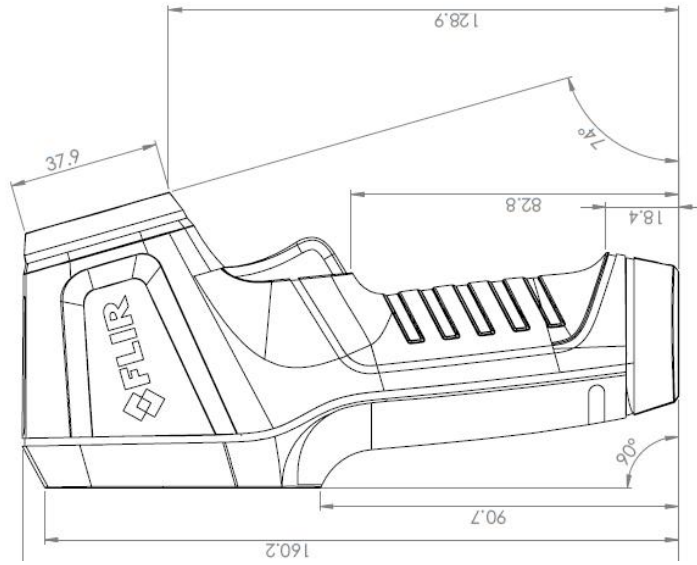
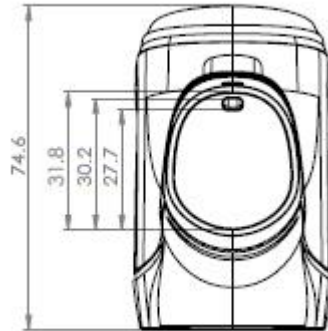
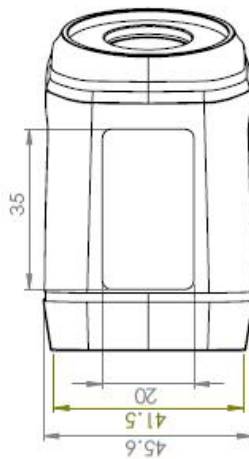
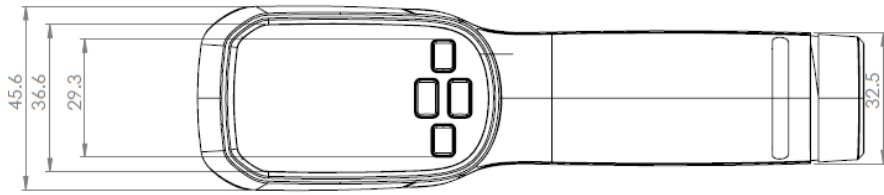
P/N: TG54

© 2019, FLIR Systems, Inc.

#TG54; r. 55966; en-US

Spot infrared (IR) thermometer	
IR temperature response time	150 ms
Measurement modes	3 readings, minimum/maximum, AVG (6000 pts running average)/differential (maximum–minimum)
Alarms	High/low/both, blue and red color indication
Laser	
Laser type	Single class 1 laser (red; visible light)
Laser wavelength	650 ± 20 nm
Laser power	≤0.39 mW
Laser alignment	Parallel to measurement “cone”
Power source	
Batteries	3 × 1.5V AAA
Battery life	>8 hours
General	
Display	1.45 in. color TFT, 128 (W) × 128 (H) pixels
Auto power off	User-adjustable (5, 10, and 20 seconds)
Warranty	https://www.flir.com/testwarranty
Drop test	3 m
IP rating	54
Worklight	Yes
Certifications	CE/FDA laser
Wrist strap	Included
Physical data	
Weight	312 g (11 oz.)
Dimensions (H × W × D)	158 mm × 44 mm × 73 mm (6.2 in. × 1.7 in. × 2.9 in.)
Shipping information	
Packaging type	Retail color box
Packaging contents	TG54, wrist strap/lanyard, user guide, 3 × AAA batteries, warranty registration card
Packaging weight:	0.5 kg (1.1 lb.)
Packaging dimensions (H × W × L)	27.7 × cm 17.3 × cm 17.2 cm (10.9 in. × 6.9 in. × 6.8 in.)
Master carton weight	7 kg (15.5 lb.)
Master carton dimensions (H × W × L)	27.7 × cm 17.3 × cm 7.2 cm (10.9 in. × 6.9 in. × 2.9 in.)
Master carton quantity	12
UPC	793950400548
EAN	0793950400548
Country of origin	China
Tariff code	9025.19.8080
Technical support	
Website	http://support.flir.com

© 2015, FLIR Systems, Inc. All rights reserved worldwide. No part of this drawing may be reproduced, stored in a retrieval system, or transmitted in any form, or by any means, electronic, mechanical, photocopying, recording, or otherwise, without written permission from FLIR Systems, Inc. Specifications subject to change without further notice. Dimensional data is based on nominal values. Products may be subject to regional market considerations. License procedures may apply. Product may be subject to US Export Regulations. Please refer to exportquestions@flir.com with any questions. Diversion contrary to US law is prohibited.



Modified Date Thursday, November 19, 2015	Modified By T&M Engineering
Description TG54	
Units Millimeters	Scale Not to Scale