

## Product Datasheet - Technical Specifications



More information in our Web-Shop at ► [www.meilhaus.com](http://www.meilhaus.com)

### Your contact

Technical and commercial sales, price information,  
quotations, demo/test equipment, consulting:

Tel.: **+49 - (0)81 41 - 52 71-0**

FAX: **+49 - (0)81 41 - 52 71-129**

E-Mail: [sales@meilhaus.com](mailto:sales@meilhaus.com)

**Meilhaus Electronic GmbH**  
Am Sonnenlicht 2  
82239 Alling/Germany

Tel. **+49 - (0)81 41 - 52 71-0**  
Fax **+49 - (0)81 41 - 52 71-129**  
E-Mail [sales@meilhaus.com](mailto:sales@meilhaus.com)

Mentioned company and product names may be registered trademarks of the respective companies. Errors and omissions excepted. © Meilhaus Electronic.

## P/N: 87504-0404

### Copyright

© 2021, FLIR Systems, Inc.

All rights reserved worldwide. Names and marks appearing herein are either registered trademarks or trademarks of FLIR Systems and/or its subsidiaries. All other trademarks, trade names or company names referenced herein are used for identification only and are the property of their respective owners.

### Document identity

Publ. No.: 87504-0404

Commit: 81052

Language:

Modified: 2021-11-22

Formatted: 2021-11-22

### Website

<http://www.flir.com>

### Customer support

<http://support.flir.com>

### Disclaimer

Specifications subject to change without further notice. Camera models and accessories subject to regional market considerations. License procedures may apply. Products described herein may be subject to US Export Regulations. Please refer to [exportquestions@flir.com](mailto:exportquestions@flir.com) with any questions.



<b>General description</b>	
<p>The FLIR TG297 combines accurate temperature measurement with the ability to image up to 1030°C (1886°F). FLIR MSX enhancement improves image clarity by embossing visual scene details on full thermal images. The FLIR TG297 is ideal for high-temperature industrial uses such as measuring the heat of glass furnaces, kilns, and forges as well as manufacturing applications, allowing you to accurately target potential faults, troubleshoot repairs, and monitor processes. Record images to assure that machinery and systems are functioning safely and at peak efficiency.</p>	
<p>Key features:</p> <ul style="list-style-type: none"> <li>• See beyond the limitations of single-spot IR thermometers with a 160 × 120 (19,200 pixel) true thermal imager.</li> <li>• FLIR patented MSX enhancement adds sharp visual detail to thermal images, making it easier to diagnose problems.</li> <li>• Measure a wide range of temperatures, from -25°C to 1030°C (-13°F to 1886°F).</li> <li>• Multipoint Laser pointer provides a circle to clearly show the area you are measuring.</li> <li>• Rugged and reliable with an IP54 enclosure that protects the camera from dirt, dust, and oil.</li> </ul>	
<b>Imaging and optical data</b>	
IR resolution	160 × 120 pixels
Digital image enhancement	Yes
Thermal sensitivity/NETD	< 70 mK
Field of view (FOV)	57° × 44°
Minimum focus distance	0.3 m (0.98 ft.)
Distance to spot ratio	30:1
Pseudo dual range	Range 1 < 400°C (< 752°F); Range 2 > 400°C (> 752°F)
Image frequency	8.7 Hz
Focus	Fixed
<b>Detector data</b>	
Focal plane array/spectral range	Uncooled microbolometer/7.5–14 μm
Detector pitch	12 μm
<b>Image presentation</b>	
Display resolution	320 × 240 pixels
Surface brightness (cd/m <sup>2</sup> )	400



## FLIR TG297

P/N: 87504-0404

© 2021, FLIR Systems, Inc.

#87504-0404; r. 81052;

<b>Image presentation</b>	
Screen size	2.4 in. portrait
Viewing angle	80°
Color depth (bits)	24
Aspect ratio	4:3
Display technology	TFT
Cover glass material	Optical grade silicon
Image adjustment	Automatic
Image modes	<ul style="list-style-type: none"><li>MSX (Multi Spectral Dynamic Imaging)</li><li>Visual with temperature reading</li></ul>
Gallery	Yes

<b>Measurement</b>	
Object temperature range	-25 to 1030°C (-13 to 1886°F)
Object temperature range and accuracy (ambient temp. 15 to 35°C (59 to 95°F))	-25 to 0°C (-13 to 32°F), acc. ±3°C (±7°F)
	0 to 50°C (32 to 122°F), acc. ±2.5°C (±5°F)
	50 to 100°C (122 to 212°F), acc. ±1.5°C (±3°F)
	100 to 500°C (212 to 932°F), acc. ±2.5%
500 to 1030°C (932 to 1886°F), acc. ±3%	
IR temperature resolution	0.1°C (0.2°F)
Repeatability of reading	±1% of reading or ±1°C (2°F), whichever is greater
Response time	150 ms
IR thermometer measurement	Continuous scanning
Minimum measurement distance	0.26 m (0.85 ft.)

<b>Measurement analysis</b>	
Spotmeter	Center spot on/off
Color palettes	<ul style="list-style-type: none"><li>Iron</li><li>Rainbow</li><li>Whitehot</li><li>Blackhot</li><li>Arctic</li><li>Lava</li></ul>

<b>Set-up</b>	
Set-up commands	<ul style="list-style-type: none"><li>Local adaptation of units, language, date, and time formats</li><li>Screen brightness (high, medium, low)</li><li>Gallery, deletion of images</li></ul>
Emissivity correction	Yes: 4 pre-set levels with custom adjustment of 0.1–0.99
Languages	Czech, Danish, Dutch, English, Finnish, French, German, Greek, Hungarian, Italian, Japanese, Korean, Norwegian, Polish, Portuguese, Russian, simplified Chinese, Spanish, Swedish, traditional Chinese, Turkish

<b>Service functions</b>	
Camera software update	Download from <a href="http://support.flir.com">http://support.flir.com</a>



## FLIR TG297

P/N: 87504-0404

© 2021, FLIR Systems, Inc.

#87504-0404; r. 81052;

<b>Storage of images</b>	
Storage media	eMMC 4GB
Image storage capacity	50,000 images
Image file format	JPEG with spot temp in meta tag
<b>Digital camera</b>	
Resolution	2 MP (1600 × 1200 pixels)
Focus	Fixed
Field of view	71° × 56°, adapts to the IR lens
<b>Flashlight</b>	
Flashlight	Bright LED on/off
LED CCT	6500 K
LED CRI	70
Beam angle	±20°
Rated power	0.5 W
Light output (Lumens)	100
<b>Laser pointer</b>	
Laser pointer	Indicating the size of the measurement area
Laser	Class 1
<b>Data communication interfaces</b>	
Interfaces	USB 2.0, Bluetooth
USB	USB Type-C: data transfer/power
USB standard	USB 2.0 High Speed
Bluetooth	BLE
<b>Power system</b>	
Battery type	Rechargeable Li ion battery
Battery voltage	3.6 V
Battery capacity	3000 mAh
Battery operating time	<ul style="list-style-type: none"><li>• 5 hours of scanning (LCM medium brightness)</li><li>• 4.5 hours with laser on (LCM medium brightness)</li></ul>
Battery charge life	30 days minimum
Charging system	Battery is charged inside the camera
Charging time	4 hours to 90%, 6 hours to 100%
Charging temperature	0 to 45°C (32 to 113°F)
Power management	Adjustable: off, 5 minutes, 15 minutes, 30 minutes
<b>Environmental data</b>	
Operating temperature range	-10 to 45°C (14 to 113°F)
Storage temperature range	-30 to 55°C (-22 to 131°F)
Humidity (operating and storage)	0-90% relative humidity (RH) (0 to 37°C (32 to 98.6°F)) 0-65% RH (37 to 45°C (98.6 to 113°F)) 0-45% RH (45 to 55°C (113 to 131°F))



## FLIR TG297

P/N: 87504-0404

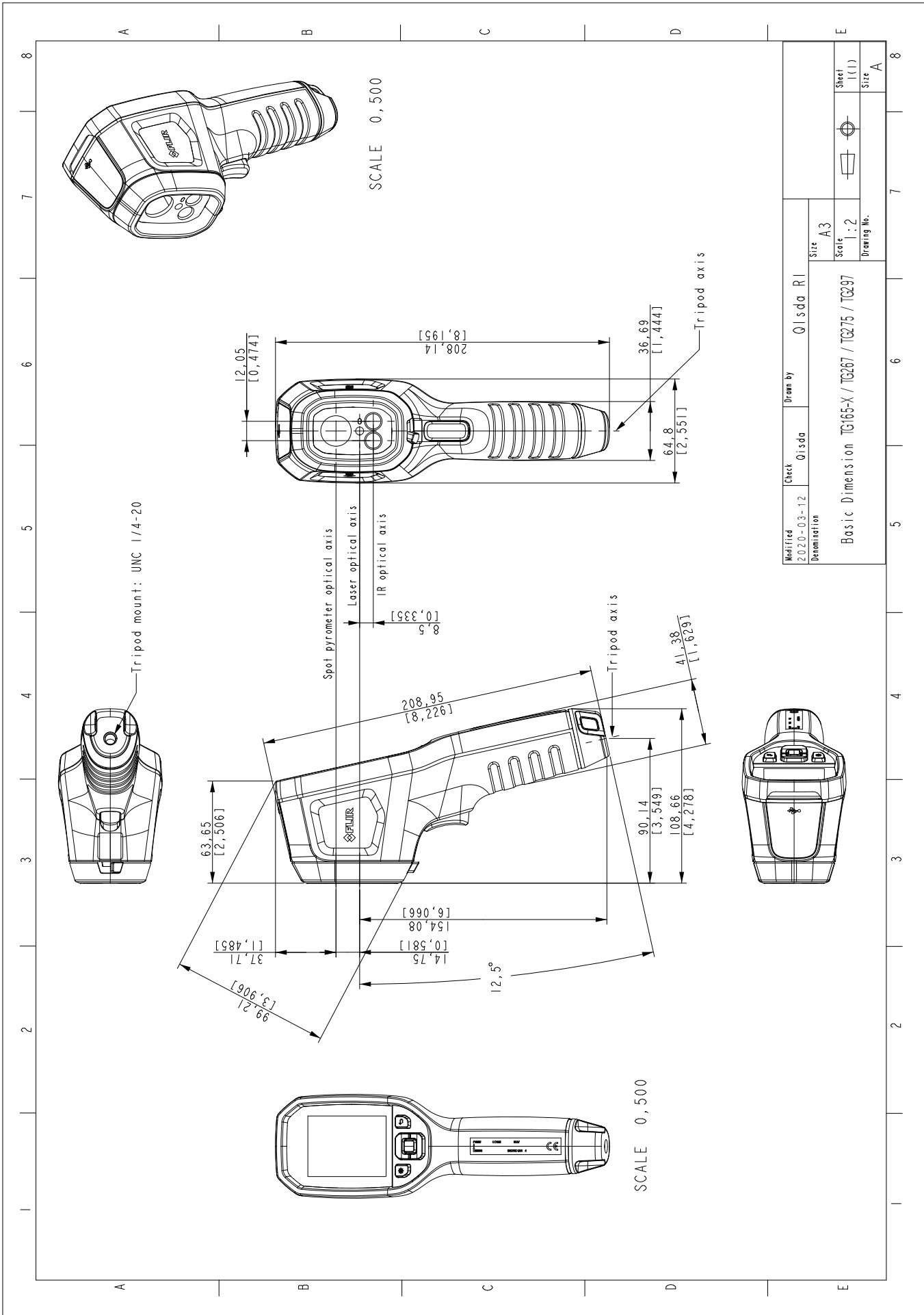
© 2021, FLIR Systems, Inc.

#87504-0404; r. 81052;

<b>Environmental data</b>	
EMC	<ul style="list-style-type: none"><li>EN 61000-6-3</li><li>EN 61000-6-2</li><li>FCC 47 CFR Part 15 Class B</li></ul>
Magnetic fields	EN 61000-4-8 class 3
Radio spectrum	<ul style="list-style-type: none"><li>ETSI EN 300 328</li><li>FCC Part 15.249</li><li>RSS-247 Issue 2</li><li>EN 301 489-1:2011</li><li>EN 301 489-17:2009</li></ul>
Encapsulation	IP 54 (IEC60529)
Shock	25 g (IEC 60068-2-27)
Vibration	2 g (IEC 60068-2-6)
Drop	Designed for 2 m (6.56 ft.)
Safety	CE/CB/EN61010/UL
Environmental safety	<ul style="list-style-type: none"><li>REACH Regulation EC 1907/2006</li><li>RoHS2 Directive 2011/65/EC</li><li>WEEE Directive 2012/19/EC</li><li>JIS C 6802:2011 laser directive (ongoing)</li><li>IEC 60825-1 class I laser directive</li><li>FDA laser</li></ul>
Humidity requirement	<ul style="list-style-type: none"><li>IEC 60068-2-30 / 24h 95% Relative Humidity +25 - +70°C / 2 Cycles (Storage)</li><li>IEC 60068-2-30 / 24h 95% Relative Humidity +25 - +40°C / 2 Cycles (Operating)</li></ul>
<b>Physical data</b>	
Weight (including battery)	0.394 kg (13.9 oz.)
Size (L x W x H)	210 x 64 x 81 mm (8.3 x 2.5 x 3.2 in.)
Tripod mounting	UNC ¼"-20
<b>Warranty and service</b>	
Warranty	<a href="http://www.flir.com/warranty/">http://www.flir.com/warranty/</a>
<b>Shipping information</b>	
Packaging, type	Cardboard box
Packaging, contents	<ul style="list-style-type: none"><li>TG297</li><li>FLIR Thermal Studio Starter</li><li>Printed documentation</li><li>Wrist strap lanyard</li><li>USB cable</li><li>Pouch</li></ul>
Packaging, weight	0.942 kg (2.08 lb.)
Packaging, size	284 x 151 x 105 mm (11.2 x 5.95 x 4.12 in.)
EAN-13	7332558023853
UPC-12	845188019600
Country of origin	Taiwan

### Supplies & accessories:

- T130976ACC; Retractable lanyard, 7 N (24 oz)



SCALE 0,500

SCALE 0,500

Modified	Checked	Drawn by	Q. Isda RI
2020-03-12	Q. Isda		
Denomination			Size A3
Basic Dimension TG165-X / TG267 / TG275 / TG297			Scale 1:2
			Drawing no.
			Sheet 1(1)
			Size A