

Product Datasheet - Technical Specifications



More information in our Web-Shop at ► www.meilhaus.com

Your contact

Technical and commercial sales, price information,
quotations, demo/test equipment, consulting:

Tel.: **+49 - (0)81 41 - 52 71-0**

FAX: **+49 - (0)81 41 - 52 71-129**

E-Mail: sales@meilhaus.com

Meilhaus Electronic GmbH
Am Sonnenlicht 2
82239 Alling/Germany

Tel. **+49 - (0)81 41 - 52 71-0**
Fax **+49 - (0)81 41 - 52 71-129**
E-Mail sales@meilhaus.com

Mentioned company and product names may be registered trademarks of the respective companies. Errors and omissions excepted. © Meilhaus Electronic.

P/N: 87503-0303

Copyright

© 2021, FLIR Systems, Inc.

All rights reserved worldwide. Names and marks appearing herein are either registered trademarks or trademarks of FLIR Systems and/or its subsidiaries. All other trademarks, trade names or company names referenced herein are used for identification only and are the property of their respective owners.

Document identity

Publ. No.: 87503-0303

Commit: 81051

Language:

Modified: 2021-11-22

Formatted: 2021-11-22

Website

<http://www.flir.com>

Customer support

<http://support.flir.com>

Disclaimer

Specifications subject to change without further notice. Camera models and accessories subject to regional market considerations. License procedures may apply. Products described herein may be subject to US Export Regulations. Please refer to exportquestions@flir.com with any questions.



General description	
The FLIR TG275 Automotive Diagnostic Thermal Camera combines non-contact temperature measurement and thermal imaging into one troubleshooting tool to help you quickly find the source of heat-related problems and spot potential faults when performing automotive maintenance and repair.	
Key features:	
<ul style="list-style-type: none"> • See beyond the limitations of single-spot IR thermometers with a 160 × 120 (19,200 pixel) true thermal imager. • FLIR patented MSX enhancement adds sharp visual detail to thermal images, making it easier to diagnose problems. • Measure a wide range of temperatures, from -25°C to 550°C (-13°F to 1022°F). • Multipoint Laser pointer provides a circle to clearly show the area you are measuring. • Rugged and reliable with an IP54 enclosure that protects the camera from dirt, dust, and oil. 	
Imaging and optical data	
IR resolution	160 × 120 pixels
Digital image enhancement	Yes
Thermal sensitivity/NETD	< 70 mK
Field of view (FOV)	$57^{\circ} \times 44^{\circ}$
Minimum focus distance	0.3 m (0.98 ft.)
Distance to spot ratio	30:1
Pseudo dual range	Range 1 < 400°C (< 752°F); Range 2 > 400°C (> 752°F)
Image frequency	8.7 Hz
Focus	Fixed
Detector data	
Focal plane array/spectral range	Uncooled microbolometer/7.5–14 μm
Detector pitch	12 μm
Image presentation	
Display resolution	320 × 240 pixels
Surface brightness (cd/m ²)	400
Screen size	2.4 in. portrait
Viewing angle	80°



FLIR TG275

P/N: 87503-0303

© 2021, FLIR Systems, Inc.

#87503-0303; r. 81051;

Image presentation	
Color depth (bits)	24
Aspect ratio	4:3
Display technology	TFT
Cover glass material	Optical grade silicon
Image adjustment	Automatic
Image modes	<ul style="list-style-type: none">MSX (Multi Spectral Dynamic Imaging)Visual with temperature reading
Gallery	Yes

Measurement	
Object temperature range	-25 to 550°C (-13 to 1022°F)
Object temperature range and accuracy (ambient temp. 15 to 35°C (59 to 95°F))	-25 to 0°C (-13 to 32°F), acc. ±3°C (±7°F)
	0 to 50°C (32 to 122°F), acc. ±2.5°C (±5°F)
	50 to 100°C (122 to 212°F), acc. ±1.5°C (±3°F)
	100 to 500°C (212 to 932°F), acc. ±2.5%
	500 to 550°C (932 to 1022°F), acc. ±3%
IR temperature resolution	0.1°C (0.2°F)
Repeatability of reading	±1% of reading or ±1°C (2°F), whichever is greater
Response time	150 ms
IR thermometer measurement	Continuous scanning
Minimum measurement distance	0.26 m (0.85 ft.)

Measurement analysis	
Spotmeter	Center spot on/off
Color palettes	<ul style="list-style-type: none">IronRainbowWhitehotBlackhotArcticLava

Set-up	
Set-up commands	<ul style="list-style-type: none">Local adaptation of units, language, date, and time formatsScreen brightness (high, medium, low)Gallery, deletion of images
Emissivity correction	Yes: 4 pre-set levels with custom adjustment of 0.1–0.99
Languages	Czech, Danish, Dutch, English, Finnish, French, German, Greek, Hungarian, Italian, Japanese, Korean, Norwegian, Polish, Portuguese, Russian, simplified Chinese, Spanish, Swedish, traditional Chinese, Turkish

Service functions	
Camera software update	Download from http://support.flir.com



FLIR TG275

P/N: 87503-0303

© 2021, FLIR Systems, Inc.

#87503-0303; r. 81051;

Storage of images	
Storage media	eMMC 4GB
Image storage capacity	50,000 images
Image file format	JPEG with spot temp in meta tag
Digital camera	
Resolution	2 MP (1600 × 1200 pixels)
Focus	Fixed
Field of view	71° × 56°, adapts to the IR lens
Flashlight	
Flashlight	Bright LED on/off
LED CCT	6500 K
LED CRI	70
Beam angle	±20°
Rated power	0.5 W
Light output (Lumens)	100
Laser pointer	
Laser pointer	Indicating the size of the measurement area
Laser	Class 1
Data communication interfaces	
Interfaces	USB 2.0, Bluetooth
USB	USB Type-C: data transfer/power
USB standard	USB 2.0 High Speed
Bluetooth	BLE
Power system	
Battery type	Rechargeable Li ion battery
Battery voltage	3.6 V
Battery capacity	3000 mAh
Battery operating time	<ul style="list-style-type: none">• 5 hours of scanning (LCM medium brightness)• 4.5 hours with laser on (LCM medium brightness)
Battery charge life	30 days minimum
Charging system	Battery is charged inside the camera
Charging time	4 hours to 90%, 6 hours to 100%
Charging temperature	0 to 45°C (32 to 113°F)
Power management	Adjustable: off, 5 minutes, 15 minutes, 30 minutes
Environmental data	
Operating temperature range	-10 to 45°C (14 to 113°F)
Storage temperature range	-30 to 55°C (-22 to 131°F)
Humidity (operating and storage)	0-90% relative humidity (RH) (0 to 37°C (32 to 98.6°F)) 0-65% RH (37 to 45°C (98.6 to 113°F)) 0-45% RH (45 to 55°C (113 to 131°F))



FLIR TG275

P/N: 87503-0303

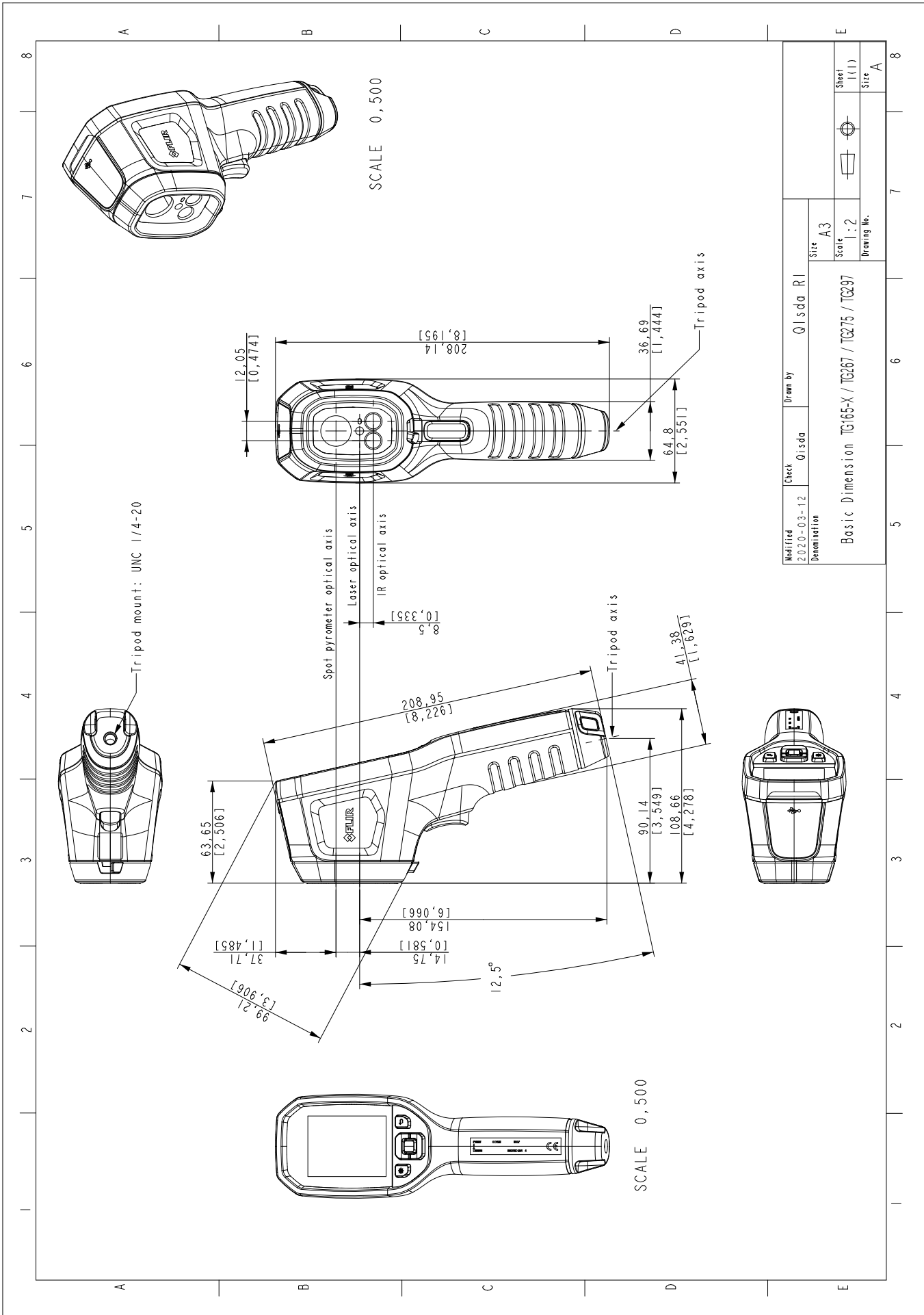
© 2021, FLIR Systems, Inc.

#87503-0303; r. 81051;

Environmental data	
EMC	<ul style="list-style-type: none">EN 61000-6-3EN 61000-6-2FCC 47 CFR Part 15 Class B
Magnetic fields	EN 61000-4-8 class 3
Radio spectrum	<ul style="list-style-type: none">ETSI EN 300 328FCC Part 15.249RSS-247 Issue 2EN 301 489-1:2011EN 301 489-17:2009
Encapsulation	IP 54 (IEC60529)
Shock	25 g (IEC 60068-2-27)
Vibration	2 g (IEC 60068-2-6)
Drop	Designed for 2 m (6.56 ft.)
Safety	CE/CB/EN61010/UL
Environmental safety	<ul style="list-style-type: none">REACH Regulation EC 1907/2006RoHS2 Directive 2011/65/ECWEEE Directive 2012/19/ECJIS C 6802:2011 laser directive (ongoing)IEC 60825-1 class I laser directiveFDA laser
Humidity requirement	<ul style="list-style-type: none">IEC 60068-2-30 / 24h 95% Relative Humidity +25 - +70°C / 2 Cycles (Storage)IEC 60068-2-30 / 24h 95% Relative Humidity +25 - +40°C / 2 Cycles (Operating)
Physical data	
Weight (including battery)	0.394 kg (13.9 oz.)
Size (L x W x H)	210 x 64 x 81 mm (8.3 x 2.5 x 3.2 in.)
Tripod mounting	UNC ¼"-20
Warranty and service	
Warranty	http://www.flir.com/warranty/
Shipping information	
Packaging, type	Cardboard box
Packaging, contents	<ul style="list-style-type: none">TG275FLIR Thermal Studio StarterPrinted documentationWrist strap lanyardUSB cablePouch
Packaging, weight	0.942 kg (2.08 lb.)
Packaging, size	284 x 151 x 105 mm (11.2 x 5.95 x 4.12 in.)
EAN-13	7332558023846
UPC-12	845188019594
Country of origin	Taiwan

Supplies & accessories:

- T130976ACC; Retractable lanyard, 7 N (24 oz)



Modified	Checked	Drawn by	Q. Isda RI
2020-03-12	Q. Isda		
Denomination			Size A3
Basic Dimension TG165-X / TG267 / TG275 / TG297			Scale 1:2
			Drawing no.
			Sheet 1(1)
			Size A