

Product Datasheet - Technical Specifications



More information in our Web-Shop at ► www.meilhaus.com

Your contact

Technical and commercial sales, price information,
quotations, demo/test equipment, consulting:

Tel.: +49 - (0)81 41 - 52 71-0

E-Mail: sales@meilhaus.com

Meilhaus Electronic GmbH
Am Sonnenlicht 2
82239 Alling/Germany

Tel. +49 - (0)81 41 - 52 71-0 E-
Mail sales@meilhaus.com

Mentioned company and product names may be registered trademarks of the respective companies. Errors and omissions excepted. © Meilhaus Electronic.

HM-SP630-LENS



The interchangeable lens series is often used with handheld thermal cameras to expand the focal length of the original camera to different ranges, so as to obtain different FOVs and scene scopes.

Compatible with SP40, SP40H, SP60, SP60H, SP60H-L12, SP60H-L25, SP60H-L50, SP60H-L8, SP60-L12, SP60-L12/50, SP60-L25, SP60-L50, SP60-L8, and SP60-L8/25.

▪ Key Feature

- FOV (Field of View): SP40/SP40H: 6° (H) × 4.5° (V) SP60/SP60H: 8° (H) × 6° (V)

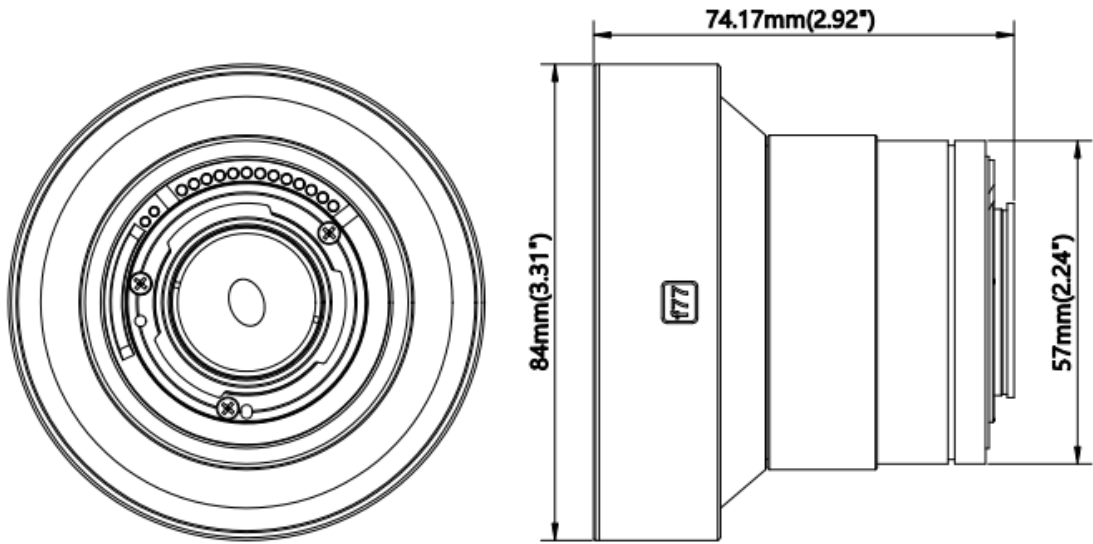
▪ Specification

Infrared Image	
Focal Length	77.4 mm (0.25 ft)
FOV (Field of View)	SP40/SP40H: 6° (H) × 4.5° (V) SP60/SP60H: 8° (H) × 6° (V)
IIFOV (Spatial Resolution)	0.22 mrad
Aperture	F1.2
Min. Focusing Distance	2 m (6.56 ft)
General	
Working Temperature Range	-20°C to 50°C (-4°F to 122°F)
Weight	392 g (0.86 lb)
Dimension	74.2 mm × φ84 mm (2.92" × φ3.31")

▪ Ordering Model

HM-SP630-LENS

▪ Dimension



Unit: mm (Inch)