

Product Datasheet - Technical Specifications



More information in our Web-Shop at ► www.meilhaus.com

Your contact

Technical and commercial sales, price information,
quotations, demo/test equipment, consulting:

Tel.: +49 - (0)81 41 - 52 71-0

E-Mail: sales@meilhaus.com

Meilhaus Electronic GmbH
Am Sonnenlicht 2
82239 Alling/Germany

Tel. +49 - (0)81 41 - 52 71-0 E-
Mail sales@meilhaus.com

Mentioned company and product names may be registered trademarks of the respective companies. Errors and omissions excepted. © Meilhaus Electronic.

HM-SP650-MACRO



The interchangeable lens series is often used with handheld thermal cameras to expand the focal length of the original camera to different ranges, so as to obtain different FOVs and scene scopes. Compatible with SP40, SP40H, SP60, SP60H. Macro lenses like the HM-SP650-MACRO allow the close focus to capture sharp images of small objects with accurate measurements.

▪ Key Feature

- Min. Focus Distance up to 50mm
- Spatial Resolution (IFOV) up to 50 $\mu\text{m}/\text{pixel}$
- High Accuracy: Max ($\pm 2^\circ\text{C}/3.6^\circ\text{F}$, $\pm 2\%$), for object temperature between -20°C (-4°F) to 150°C (302°F)

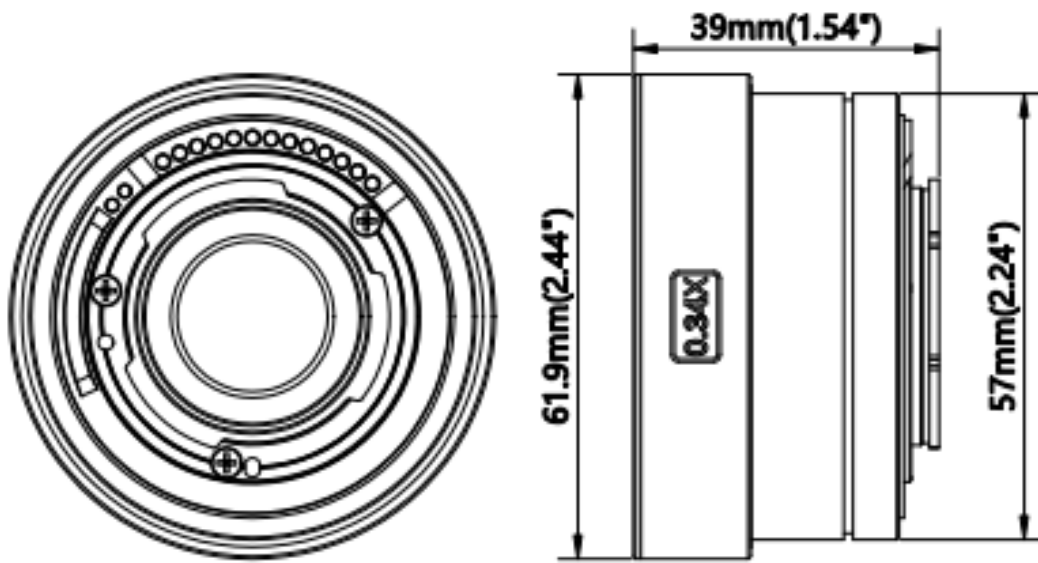
▪ Specification

Infrared Image	
Focal Length	18.8 mm (0.06 ft)
Field of View (FOV)	SP40/SP40H: 23.4 mm x 17.44 mm SP60/SP60H: 31.54 mm x 23.4 mm
Spatial Resolution (IFOV)	50 $\mu\text{m}/\text{pixel}$
Min. Focus Distance	50 mm
Measurement and Analysis	
Object Temperature Range	-20°C to 150°C (-4°F to 302°F)
Accuracy	Max. ($\pm 2^\circ\text{C}/3.6^\circ\text{F}$, $\pm 2\%$)
General	
Working Temperature Range	-20°C to 50°C (-4°F to 122°F)
Weight	162 g (0.35 lb)
Dimension	39 mm x $\phi 61.9$ mm (1.54" x $\phi 2.44$ ")
Accessory	
Min. Target Size for Imaging	50 μm

▪ Available Model

HM-SP650-MACRO

▪ Dimension



Unit: mm (Inch)