

Product Datasheet - Technical Specifications



More information in our Web-Shop at ► www.meilhaus.com

Your contact

Technical and commercial sales, price information,
quotations, demo/test equipment, consulting:

Tel.: **+49 - (0)81 41 - 52 71-0**

FAX: **+49 - (0)81 41 - 52 71-129**

E-Mail: sales@meilhaus.com

Meilhaus Electronic GmbH
Am Sonnenlicht 2
82239 Alling/Germany

Tel. **+49 - (0)81 41 - 52 71-0**
Fax **+49 - (0)81 41 - 52 71-129**
E-Mail sales@meilhaus.com

Mentioned company and product names may be registered trademarks of the respective companies. Errors and omissions excepted. © Meilhaus Electronic.

Keysight Power Divider

11636D: DC to 67 GHz

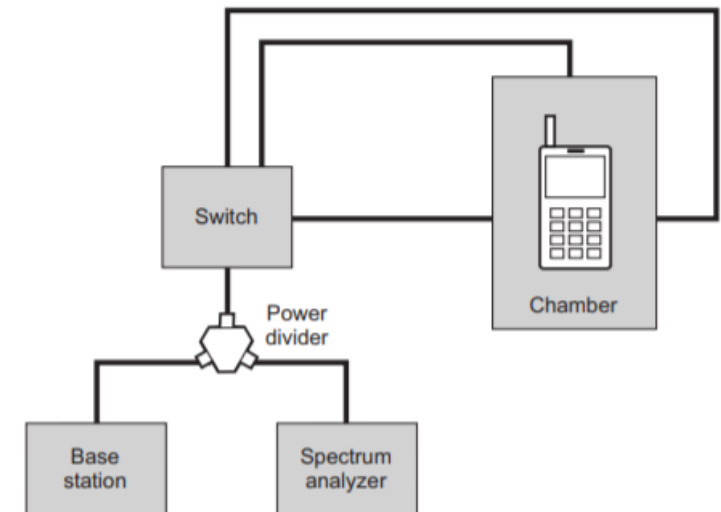
Performance. Reliability.

- Provide accurate power dividing and combining
- Improves fault location measurement by reducing reflection
- Excellent amplitude and phase tracking



Performance &
Reliability

- Excellent amplitude (0.65 dB max at 67 GHz)
- Excellent phase tracking (4° @ 50 GHz, 7° @ 67 GHz)
- Low VSWR of < 2.1 @ 67 GHz



Key Features and Specifications

- Broad operating frequency up to 67 GHz
- Excellent amplitude (0.65 dB max at 67 GHz)
- Excellent phase tracking (4° @ 50 GHz, 7° @ 67 GHz)
- Low VSWR of < 2.1 @ 67 GHz

Ordering Information

- 11636D: DC to 67 GHz, power divider

	Keysight 11636D
Model	
Frequency Range	DC to 67 GHz
Max input power (W)	1 W
Amplitude tracking (dB)	DC to 50 GHz: 0.4 50 to 67 GHz : 0.65
Phase tracking (degree)	DC to 50 GHz: 4 50 to 67 GHz : 7
Insertion loss (dB)	DC to 18 GHz: < 7 18 to 26.5 GHz : < 7.5 26.5 to 40 GHz: < 8.5 40 to 50 GHz : < 9 50 to 67 GHz : < 9 dB
Input VSWR	DC to 18 GHz: < 1.3 18 to 26.5 GHz : < 1.4 26.5 to 40 GHz: < 1.6 40 to 50 GHz : < 1.8 50 to 67 GHz : < 2.1
Output VSWR	DC to 18 GHz: < 1.3 18 to 26.5 GHz : < 1.4 26.5 to 40 GHz: < 1.6 40 to 50 GHz : < 1.8 50 to 67 GHz : < 2.1
Connector	1.85 mm