

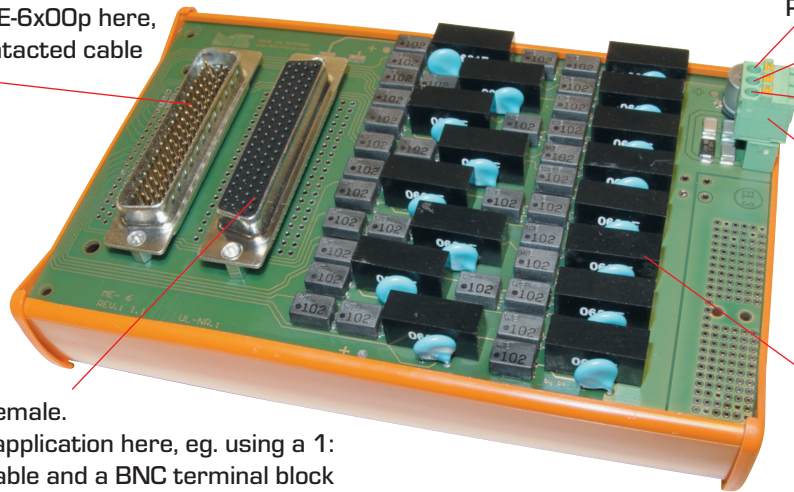


Power supply module for 16 bit analog output boards ME-6x00p

ME-6 connectivity - DIN rail mountable version and 3 U CompactPCI model

② 78-pin D-sub male.

Connect the ME-6x00p here, using a 1:1 contacted cable



PE

Vcc

GND

① Supply power (Phoenix)

DC/DC converters (number depending on number of channels)

③ 78-pin D-sub female.

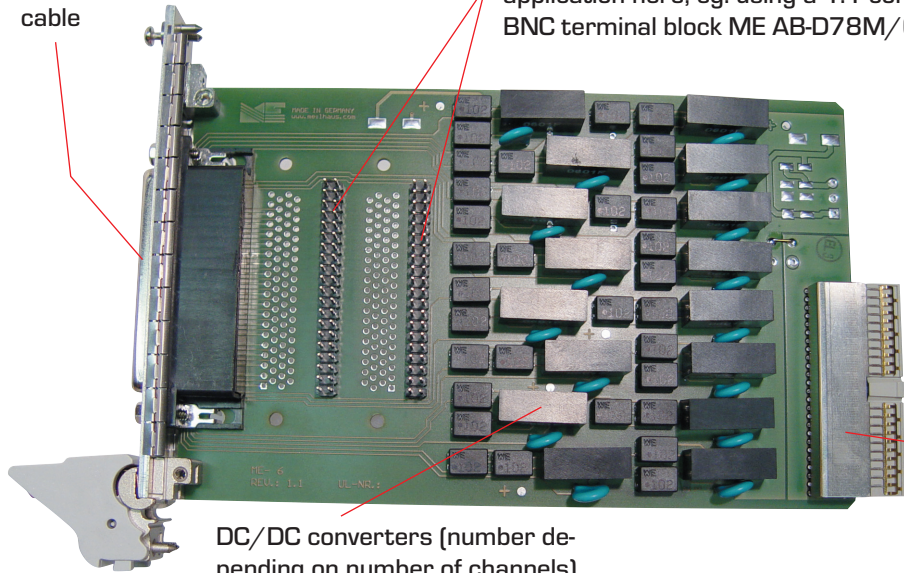
Connect your application here, eg. using a 1:1 contacted cable and a BNC terminal block ME AB-D78M/6000

② 78-pin D-sub female.

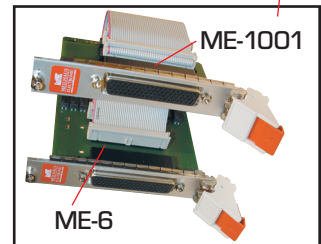
Connect the ME-6x00p here, using a 1:1 contacted cable

④ Pin field connector for ME-1001.

The ME-1001 has a 78-pin D-sub female. Connect your application here, eg. using a 1:1 contacted cable and a BNC terminal block ME AB-D78M/6000



DC/DC converters (number depending on number of channels)



⑤ CompactPCI bus connector for supply power from CompactPCI bus. CompactPCI data lines not used

All information is subject to change without notice.



www.meilhaus.com

© Copyright 2007 Meilhaus Electronic GmbH.

All rights reserved. Meilhaus Electronic assumes no responsibility for any problems or damage which may result from errors or omissions.

Short description

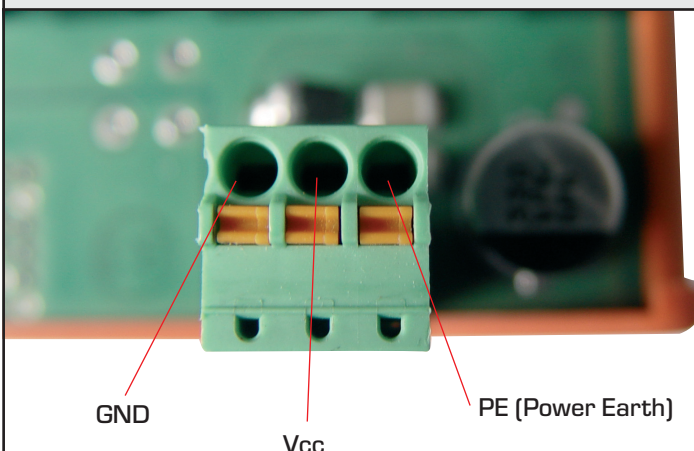
- Additional board for the ME-6x00p series.
- Reliable power supply for the isolated analog outputs with separate grounds.
- 2 model versions available:
 - ...with DIN rail mountable card carrier, Phoenix connector for the external 24 V supply power. Can be used with the PCI and 3 U CompactPCI models of the ME-6x00.
 - ...as 3 U CompactPCI/PXI board. Can be used with the 3 U CompactPCI models of the ME-6x00.
- Up to 9 (CompactPCI) or 16 (DIN rail mountable version) DC/DC converters for the “island” channels.
- Supply power 5 V, optional 3.3 V for CompactPCI and 24 V for the DIN rail mountable versions. The ME-6 delivers 15 V for the ME-6x00 “island” channels.
- 500 V isolation voltage.

Specifications

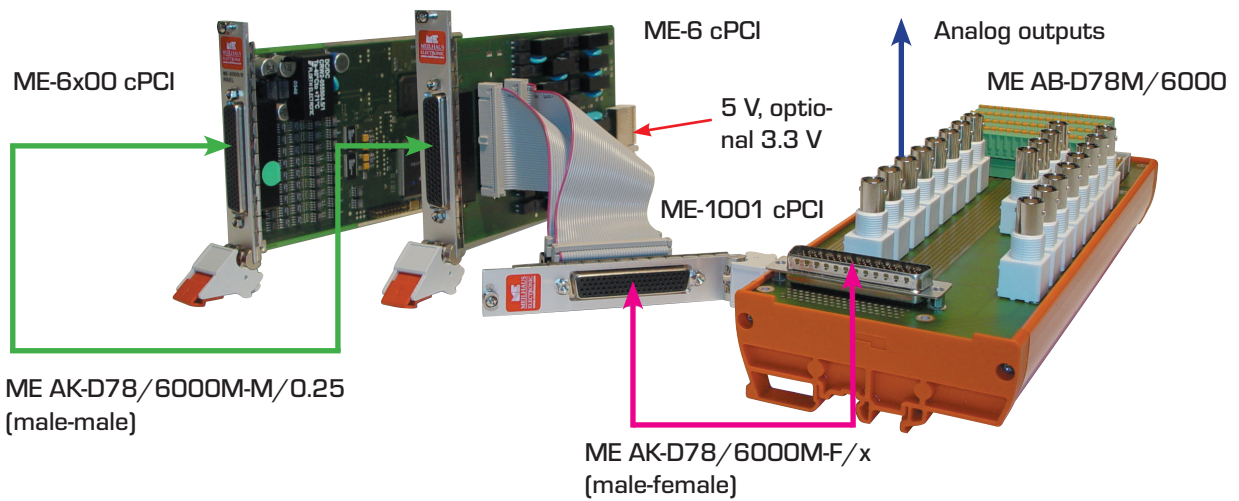
ME-6x00p power supply

Functions	Power supply for the isolated “island” channel (opto-isolation with separate ground per channel) of the ME-6x00 p/“island” series
For use with	All p/“island” versions of the ME-6000, ME-6100, ME-6200, ME-6300. ME-6 H: PCI, cPCI and cPCI models in ME-Synapse. ME-6 cPCI: cPCI models.
DC/DC converters	ME-6 H: 4, 5, 8, 9 or 16. ME-6 cPCI: 4, 5, 8 or 9.
Supply power	ME-6 H: Up to 24 V via pluggable Phoenix terminals. ME-6 cPCI: Via CompactPCI slot connector, standard: 5 V, optional 3.3 V
Delivers	15 V for the ME-6x00 channels
Isolation voltage	500 V
Bus interface	ME-6 H: None (external module). ME-6 cPCI: CompactPCI slot connector for board’s 5 V supply, no CompactPCI bus/data signals used.
Size (mm)	ME-6 H: Europa card 160 x 100 in DIN rail mountable card carrier. ME-6 cPCI: 3 U CompactPCI/PXI/Europa card 160 x 100.
Connectors	ME-6 H: 78-pin D-sub female and male, pluggable Phoenix terminal for externals supply power. ME-6 cPCI: 78-pin D-sub male, 2 pin field/flat ribbon cable connectors for ME-1001 cPCI
Connectivity	ME-6 H: ME-6x00 → ME-6 H → ME AB-D78M/6000 (see pict. below!) ME-6 cPCI: ME-6x00 cPCI → ME-6 cPCI → ME-1001 cPCI → ME AB-D78M/6000 (see picture below!)

① Connecting the supply power (Phoenix)



Connecting the ME-6 cPCI



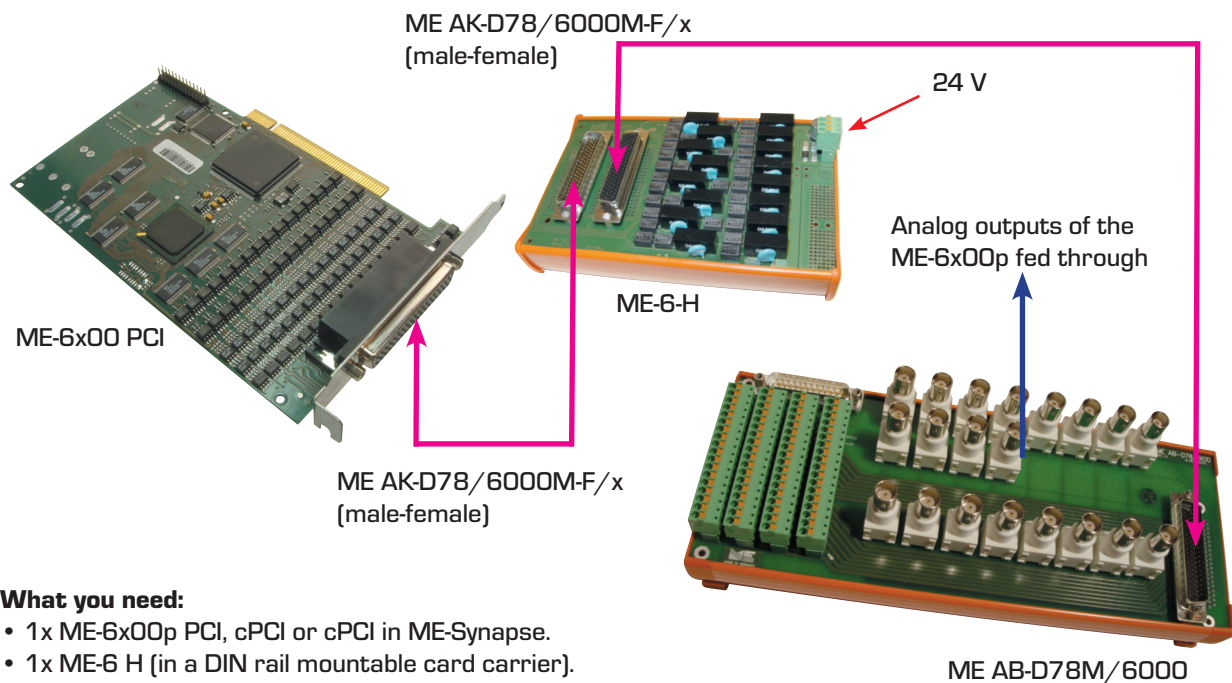
What you need:

- 1x ME-6x00p cPCI.
- 1x ME-6 cPCI plus ME-1001 (included with the ME-6 cPCI).
- 1x cable ME AK-D78/6000M-M/0.25.

Optional for further connectivity:

- 1x cable ME AK-D78/6000M-F/x (various lengths).
- BNC/terminal block ME AB-D78M/6000

Connecting the ME-6 H



What you need:

- 1x ME-6x00p PCI, cPCI or cPCI in ME-Synapse.
- 1x ME-6 H (in a DIN rail mountable card carrier).
- 1x cable ME AK-D78/6000M-F/x.

Optional for further connectivity:

- 1x cable ME AK-D78/6000M-F/x (various lengths).
- BNC/terminal block ME AB-D78M/6000

To connect the ME-6 to the ME-6x00p boards, only use the rights cables from Meilhaus Electronic. The 78-pin D-sub output connector's pin-out scheme of the ME-6 H or ME-1001 at ME-6 cPCI matches the pin-out of the ME-6x00p. Check the ME-6x00 series manual for further information.