

Product Datasheet - Technical Specifications



More information in our Web-Shop at ► www.meilhaus.com and in our download section.

Your contact

Technical and commercial sales, price information,
quotations, demo/test equipment, consulting:

Tel.: **+49 - 81 41 - 52 71-0**

FAX: **+49 - 81 41 - 52 71-129**

E-Mail: sales@meilhaus.com

Downloads:

www.meilhaus.com/en/infos/download.htm

Meilhaus Electronic GmbH | Tel. **+49 - 81 41 - 52 71-0**
Am Sonnenlicht 2 | Fax **+49 - 81 41 - 52 71-129**
82239 Alling/Germany | E-Mail sales@meilhaus.com

Mentioned company and product names may be registered trademarks of the respective companies. Prices in Euro plus VAT. Errors and omissions excepted.
© Meilhaus Electronic.

www.meilhaus.de

ME-94 Digital PC Board, 16 Opto Inputs

- Opto inputs and outputs with isolation up to 500 V. Industrial 24 V level.
- 16 opto isolated digital inputs.
- Outputs stable during PC power on: No voltage peaks.
- All channels on 1x 25-pin D-sub female connector.
- PC DAQ board for PCI or 3 U CompactPCI/PXI.
- With ME-Synapse remote adaption of the 3 U CompactPCI models to Ethernet/LAN, USB or PCI-Express x1 over Cable.

| Model | Opto inputs | Opto outputs | Connectors | Bus platform |
|------------|-------------|--------------|----------------------|-----------------|
| ME-96 PCI | 8 | 8 | 2x 15-pin D-sub male | StandardPCI |
| ME-96 cPCI | | | | 3 HE CompactPCI |
| ME-95 PCI | - | 16 | 1x 25-pin D-sub male | StandardPCI |
| ME-95 cPCI | | | | 3 HE CompactPCI |
| ME-94 PCI | 16 | - | 1x 25-pin D-sub male | StandardPCI |
| ME-94 cPCI | | | | 3 HE CompactPCI |

Specification

PCI Interface

| | |
|----------------------|------------------------------------|
| Bus system | Standard PCI (32 bit, 33 MHz, 5 V) |
| (depending on model) | CompactPCI (32 bit, 33 MHz, 5 V) |
| Plug&Play | automatic assignment of resources |

Digital opto-isolated Inputs (ME-94 and ME-96)

| | |
|----------------------|---|
| Number | ME-94: 16; ME-96: 8 |
| PIO device | 8255-compatible |
| Input voltage | low: 0... 12 V (PCI, cPCI) high: 13...24 V (PCI, cPCI) |
| Input current | at 24 V input voltage PCI, cPCI: 10 mA |
| Electrical isolation | 500 V DC (referenced to PC-GND) |
| Transfer rate | Max. 1 kHz |

Digital opto-isolated Outputs (ME-95 and ME-96)

| | |
|----------------------|---|
| Number | ME-95: 16; ME-96: 8 |
| PIO Device | ME-95: discrete components ME-96: 8255-compatible |
| Power-up | Output transistors disabled, output pins are tristate after power-up. |
| Ext. power supply | 24 V nominal |
| Output current | max. 100 mA per line |
| Electrical isolation | 500 V DC |
| Transfer rate | max. 1 kHz symmetrically |

General Information

| | |
|---------------------------|--|
| Power consumption at +5 V | ME-94 PCI/cPCI: typ. 250 mA ME-95 PCI/cPCI: typ. 400 mA ME-96 PCI/cPCI: typ. 380 mA |
| Fuse for external power | F1: 1,6 AT/250 V (only ME-95, ME-96) |
| Physical size (mm) | 100 x 160 (cPCI models) 174 x 98 (PCI models) |
| Connectors | 25-pin D-Sub male connector ME-94 and ME-95); 2 x 15-pin D-Sub connector (ME-96); 2-pin low-voltage female connector DIN 45323 (not for cPCI, supply over cPCI slot connector there) |
| Operating temperature | 0...70 °C |
| Storage temperature | -40... 100 °C |
| Relative humidity | 20...55 % (non-condensing) |
| Certification | CE |

Pinout

ME-94

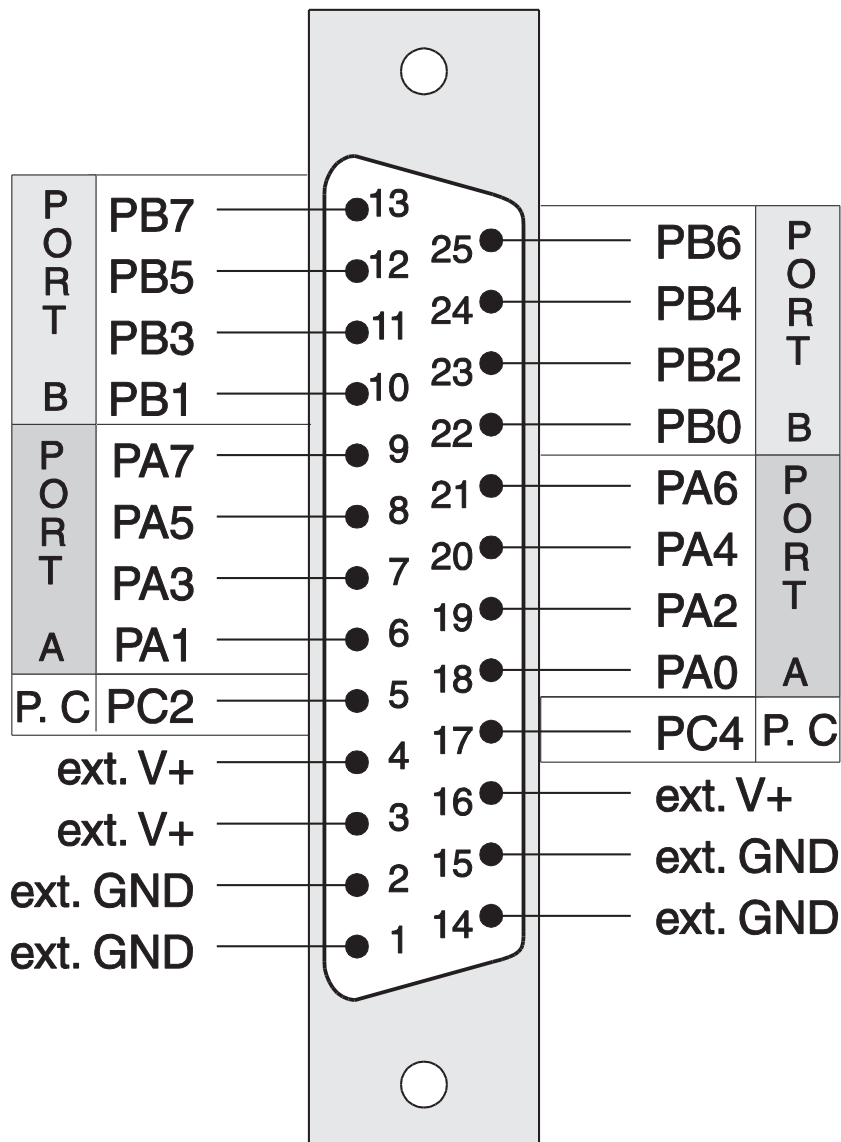


Diagram 6: Pinout of 25-pin D-Sub male connector for the ME-94 (input port)

*Pin not supported by ME-iDS

ME-95

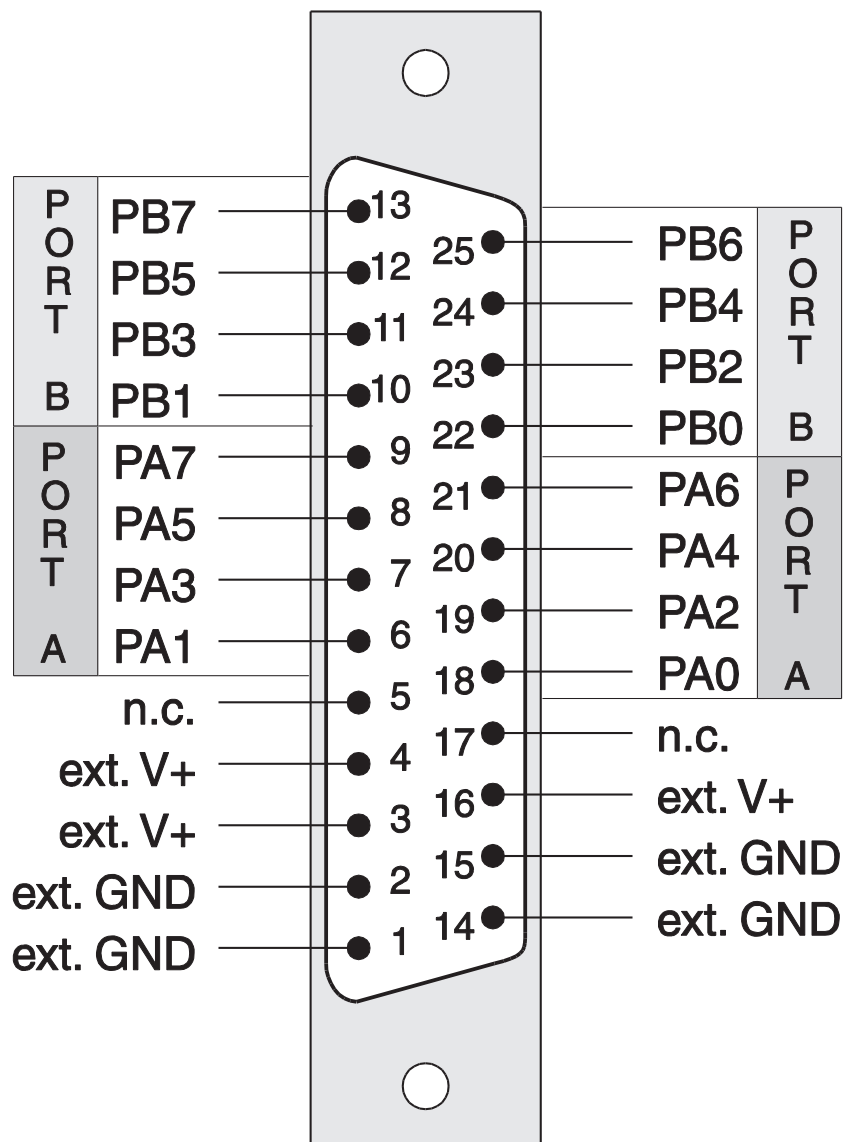


Diagram 7: Pinout of 25-pin D-Sub male connector for the ME-95 (output port)

ME-96

Output Port of the ME-96 (top)

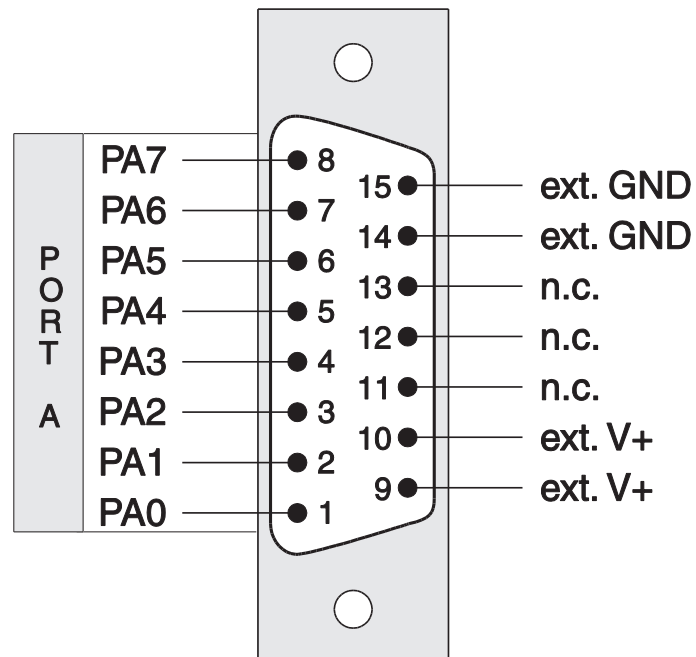


Diagram 8: Pinout of 15-pin D-Sub male connector for the output port of the ME-96

Input Port of the ME-96 (bottom)

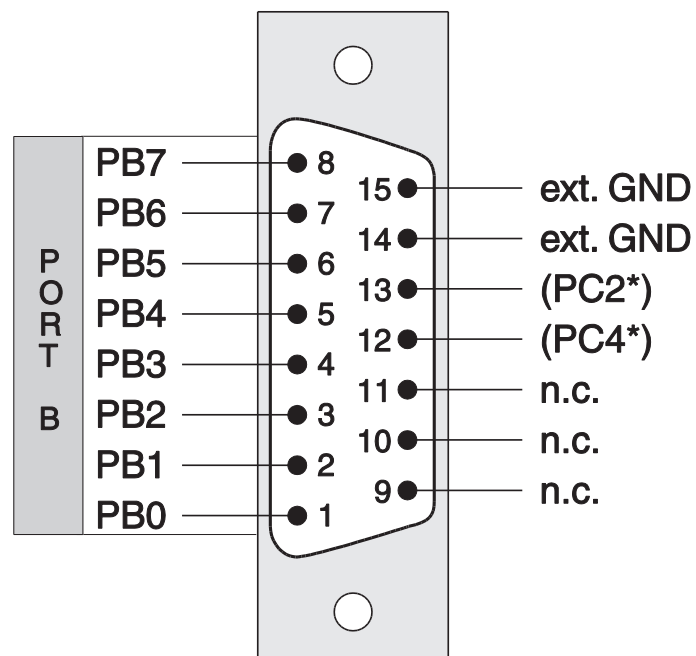


Diagram 9: Pinout for 15-pin D-Sub male connector for the input port of the ME-96

*Pin not supported by ME-iDS.

External Power Connector

...for the optocouplers (only standard PCI models)

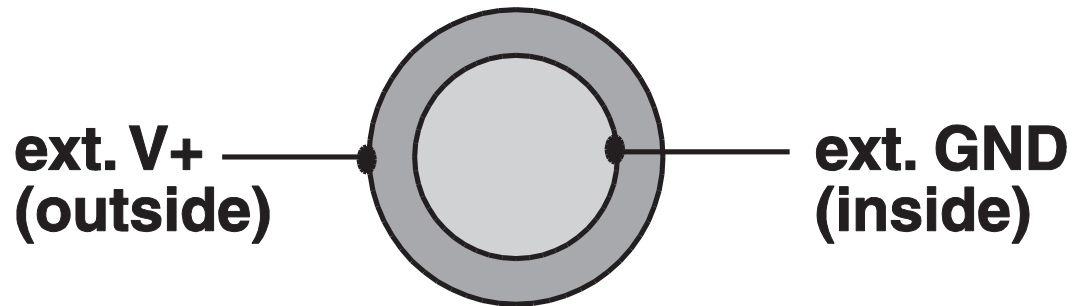


Diagram 10: Low-voltage power connector