

RedLab 3114

16-channel, 16-bit high-drive analog voltage output

Eight digital I/O, one 32-bit event counter

Full-speed USB 2.0 device

User's Guide



RedLab 3114

USB-based Analog Output

User Guide



Document Revision 1.HE, 08/14, 20FI
© Copyright 20FI , Meilhaus Electronic

Imprint

User's Guide RedLab® Series

Document Revision 1.HE
Revision Date: 07.12.2011

Meilhaus Electronic GmbH

Meilhaus Electronic GmbH
D-82041 Gräfelfing * near Munich, Germany
<http://www.meilhaus.de>

© Copyright 2011 Meilhaus Electronic GmbH

All rights reserved. No part of this publication may be reproduced, stored in a retrieval system, or transmitted, in any form by any means, electronic, mechanical, by photocopying, recording, or otherwise without the prior written permission of Meilhaus Electronic GmbH.

Important note:

All the information included in this user's guide were put together with utmost care and to best knowledge. However, mistakes may not have been erased completely.

For this reason, the firm Meilhaus Electronic GmbH feels obliged to point out that they cannot be take on neither any warranty (apart from the claims for warranty as agreed) nor legal responsibility or liability for consequences caused by incorrect instructions.

We would appreciate it if you inform us about any possible mistakes.

The trademark Personal Measurement Device, TracerDAQ, Universal Library, InstaCal, Harsh Environment Warranty, Measurement Computing Corporation, and the Measurement Computing logo are either trademarks or registered trademarks of Measurement Computing Corporation.

Windows, Microsoft, and Visual Studio are either trademarks or registered trademarks of Microsoft Corporation.

LabVIEW is a trademark of National Instruments.

CompactFlash is a registered trademark of SanDisk Corporation.

XBee is a trademark of MaxStream, Inc.

All other trademarks are the property of their respective owners.

Table of Contents

Preface	
About this User's Guide	6
What you will learn from this user's guide	6
Conventions in this user's guide.....	6
Where to find more information	6
Chapter 1	
Introducing the RedLab 3114.....	7
Overview: RedLab 3114 features	7
RedLab 3114 block diagram	9
Software features	9
Chapter 2	
Installing the RedLab 3114.....	10
What comes with your RedLab 3114 shipment?	10
Hardware	10
Additional documentation.....	11
Unpacking the RedLab 3114	11
Installing the software	11
Installing the hardware	11
Connecting the AC power adapter	11
Connecting the RedLab 3114 to your system	11
Calibrating the RedLab 3114.....	12
Chapter 3	
Functional Details	13
External components	13
USB connector.....	13
USB LED.....	13
Power connector	14
Power LED	14
Screw terminal banks.....	14
Analog voltage output terminals (VOUT0 to VOUT15)	15
Digital I/O terminals (DIO0 to DIO7)	15
Digital I/O control terminal (DIO CTL) for pull-up/down configuration	16
Ground terminals (AGND, DGND).....	16
Synchronous DAC load terminal (SYNCLD).....	16
Counter terminal (CTR).....	16
Power terminal (+5V).....	17
Synchronizing multiple units.....	18
Chapter 4	
Specifications	19
Analog voltage output	19
Analog output calibration	20
Digital input/output	21
Synchronous DAC Load.....	21
Counter	22
Memory	22
Microcontroller.....	22
Power.....	23
USB specifications	23

Environmental	23
Mechanical	24
Main connector and pin out.....	24

About this User's Guide

What you will learn from this user's guide

This user's guide explains how to install, configure, and use the RedLab 3114 so that you get the most out of its analog output features.

This user's guide also refers you to related documents available on our web site, and to technical support resources.

Conventions in this user's guide

For more information on ...

Text presented in a box signifies additional information and helpful hints related to the subject matter you are reading.

Caution! Shaded caution statements present information to help you avoid injuring yourself and others, damaging your hardware, or losing your data.

<#:#> Angle brackets that enclose numbers separated by a colon signify a range of numbers, such as those assigned to registers, bit settings, etc.

bold text **Bold** text is used for the names of objects on the screen, such as buttons, text boxes, and check boxes. For example:
1. Insert the disk or CD and click the **OK** button.

italic text *Italic* text is used for the names of manuals and help topic titles, and to emphasize a word or phrase. For example:
The InstaCal® installation procedure is explained in the *Quick Start Guide*.
Never touch the exposed pins or circuit connections on the board.

Where to find more information

The following electronic documents provide helpful information relevant to the operation of the RedLab 3114.

- The *Quick Start Guide* is available on our RedLab CD in the root directory.
- The *Guide to Signal Connections* is available on our RedLab CD under „ICalUL\Documents“.
- The *Universal Library User's Guide* is available on our RedLab CD under „ICalUL\Documents“.
- The *Universal Library Function Reference* is available on our RedLab CD under „ICalUL\Documents“.
- The *Universal Library for LabVIEW™ User's Guide* is available on our RedLab CD under „ICalUL\Documents“.

Introducing the RedLab 3114

Overview: RedLab 3114 features

This user's guide contains all of the information you need to connect the RedLab 3114 to your computer and to the signals you want to measure. The RedLab 3114 is part of the Meilhaus Electronic brand of USB-based data acquisition products.

The RedLab 3114 is a USB 2.0 full-speed, high-drive device that is supported under popular Microsoft® Windows® operating systems. The RedLab 3114 is fully compatible with both USB 1.1 and USB 2.0 ports.

The RedLab 3114 provides 16 channels of high-drive analog voltage output, high output current, eight digital I/O connections, and one 32-bit event counter.

Each of the voltage outputs of the RedLab 3114 incorporates high-drive current output capability. The high drive current outputs allow each of the voltage outputs to sink/source up to 40 mA (maximum) of load current.

Caution! The RedLab 3114 voltage outputs should not be kept in a short-circuit condition for longer than the specified 100 ms. For those applications that may potentially exceed the 40 mA maximum current limit or the 100 ms short-circuit condition, external current limiting must be used to prevent potential damage to the RedLab 3114.

The RedLab 3114 has four quad (4-channel) 16-bit digital-to-analog converters (DAC). You set the voltage output range of each DAC channel independently with software for either bipolar or unipolar. The bipolar range is ± 10 V, and the unipolar range is 0 to 10 V. The outputs may be updated individually or simultaneously.

The RedLab 3114 features eight bidirectional digital I/O connections. You can configure the DIO lines as input or output in one 8-bit port. All digital pins are floating by default. A screw terminal connection is provided for pull-up (+5 V) or pull-down (0 volts) configuration.

The 32-bit counter can count TTL pulses. A bidirectional synchronization connection allows you to simultaneously update the DAC outputs on multiple devices.

The RedLab 3114 is powered by a 5 volt, 2 amp AC power adapter that is shipped with the board. All I/O connections are made to the screw terminals located along each side of the RedLab 3114.



Figure 1. RedLab 3114

RedLab 3114 block diagram

RedLab 3114 functions are illustrated in the block diagram shown here.

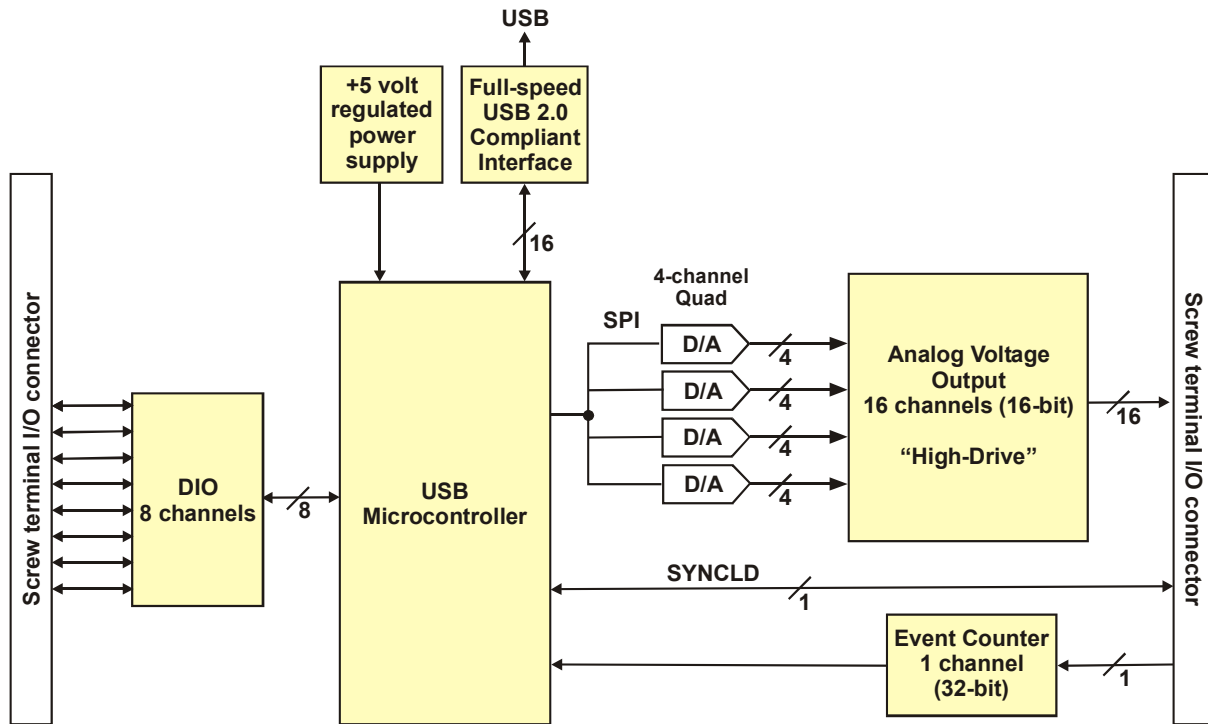


Figure 2. RedLab 3114 block diagram

Software features

For information on the features of *InstaCal* and the other software included with your *RedLab 3114*, refer to the *Quick Start Guide* that shipped with your device. The *Quick Start Guide* is also available in PDF on our RedLab CD (root directory).

Installing the RedLab 3114

What comes with your RedLab 3114 shipment?

The following items are shipped with the RedLab 3114.

Hardware

- RedLab 3114 device



- USB cable (2 meter length)



- External power supply and cord – 10 watt AC power adapter.



Additional documentation

In addition to this hardware user's guide, you should also receive the *Quick Start Guide* (available on our RedLab CD (root directory)). This booklet supplies a brief description of the software you received with your RedLab 3114 and information regarding installation of that software. Please read this booklet completely before installing any software or hardware.

Unpacking the RedLab 3114

As with any electronic device, you should take care while handling to avoid damage from static electricity. Before removing the RedLab 3114 from its packaging, ground yourself using a wrist strap or by simply touching the computer chassis or other grounded object to eliminate any stored static charge.

If your RedLab 3114 is damaged, notify Meilhaus Electronic immediately by phone, fax, or e-mail. For international customers, contact your local distributor where you purchased the RedLab 3114.

- Phone: +49 (0) 8141/5271-188
- Fax: +49 (0) 8141/5271-169
- E-Mail: support@meilhaus.com

Installing the software

Refer to the *Quick Start Guide* for instructions on installing the software *Guide* (available on our RedLab CD (root directory)).

Installing the hardware

Be sure you are using the latest system software

Before you connect the RedLab 3114, make sure that you are using the latest versions of the USB drivers.

Before installing the RedLab 3114, download and install the latest Microsoft Windows updates. In particular, when using Windows XP, make sure you have XP Hotfix KB822603 installed. This update is intended to address a serious error in Usbport.sys when you operate a USB device. You can run Windows Update or download the update from www.microsoft.com/downloads/details.aspx?familyid=733dd867-56a0-4956-b7fe-e85b688b7f86&displaylang=en. For more information, refer to the Microsoft Knowledge Base article "Availability of the Windows XP SP1 USB 1.1 and 2.0 update." This article is available at support.microsoft.com/?kbid=822603.

Connecting the AC power adapter

Power to the RedLab 3114 is provided with the 10 watt USB adapter (PS-5V2AEPS). To connect the power supply to your RedLab 3114, connect the USB adapter cord to the power connector on the RedLab 3114 device, and plug the AC adapter into a power outlet.

The power LED on the device lights up when the RedLab 3114 is receiving power from the AC power adapter.

Connecting the RedLab 3114 to your system

To connect the RedLab 3114 to your system, turn your computer on, and connect the USB cable to a USB port on your computer or to an external USB hub that is connected to your computer. The USB cable provides power and communication to the RedLab 3114.

When you connect the RedLab 3114 for the first time, a **Found New Hardware** popup balloon (Windows XP) or dialog (other Windows versions) appears as the RedLab 3114 is detected by your computer.



After the RedLab 3114 is installed, the popup balloon or dialog states "Your new hardware is installed and ready to use," and the USB LED should flash and then remain lit. This indicates that communication is established between the RedLab 3114 and your computer.



Caution! Do not disconnect **any** device from the USB bus while the computer is communicating with the RedLab 3114, or you may lose data and/or your ability to communicate with the RedLab 3114.

If the USB LED turns off

If the USB LED is illuminated but then turns off, the computer has lost communication with the RedLab 3114. To restore communication, disconnect the USB cable from the computer, and then reconnect it. This should restore communication, and the LED should turn back *on*.

Calibrating the RedLab 3114

The RedLab 3114 is shipped fully calibrated. Calibration coefficients are stored in the device FLASH memory. Return the device to Meilhaus Electronic when calibration is required. The normal calibration interval is once per year.

Functional Details

External components

The RedLab 3114 has the following external components, as shown in Figure 2..

- USB connector
- USB LED
- Power connector
- Power LED
- Screw terminal banks (2)

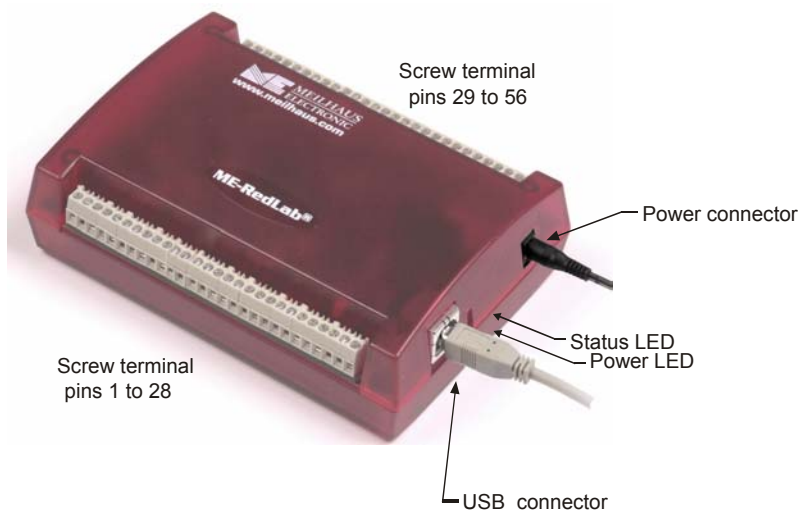


Figure 3. RedLab 3114 external components

USB connector

The USB connector provides communication. Use the external power supply that shipped with the RedLab 3114 to power the device.

USB LED

The USB LED indicates the communication status of the RedLab 3114. It uses up to 10 mA of current and cannot be disabled. The table below defines the function of the USB LED.

LED Illumination

LED Illumination	Indication
Steady green	The RedLab 3114 is connected to a computer or external USB hub.
Blinks continuously	Data is being transferred.

Power connector

Connect the external power adapter to this connector.

Power LED

The power LED lights up when the RedLab 3114 is receiving power from the AC power adapter.

Screw terminal banks

The RedLab 3114 has two rows of screw terminals—one row on the top edge of the housing, and one row on the bottom edge. Each row has 28 connections. Use 16 AWG to 30 AWG wire gauge when making screw terminal

connections. Pin numbers are identified in

Figure 4



Figure 4. RedLab 3114 screw terminal pin numbering

Screw terminal – pins 1-28

The screw terminals on the bottom edge of the RedLab 3114 (pins 1 to 28) provide the following connections:

- Eight analog voltage output connections (**VOUT0, VOUT2, VOUT4, VOUT6, VOUT8, VOUT10, VOUT12, VOUT14**)
- Four analog ground connections (**AGND**)
- Eight digital I/O connections (**DIO0 to DIO7**)

Screw terminal – pins 29-56

The screw terminals on the top edge of the RedLab 3114 (pins 29 to 56) provide the following connections:

- Eight analog voltage output connections (**VOUT1, VOUT3, VOUT5, VOUT7, VOUT9, VOUT11, VOUT13, VOUT15**)
- Four analog ground connections (**AGND**)
- One SYNC terminal for external clocking and multi-unit synchronization (**SYNCLD**)
- Three digital ground connections (**DGND**)
- One external event counter connection (**CTR**)
- One digital I/O pull-down resistor connection (**DIO CTL**)
- One voltage output power connection (**+5V**)

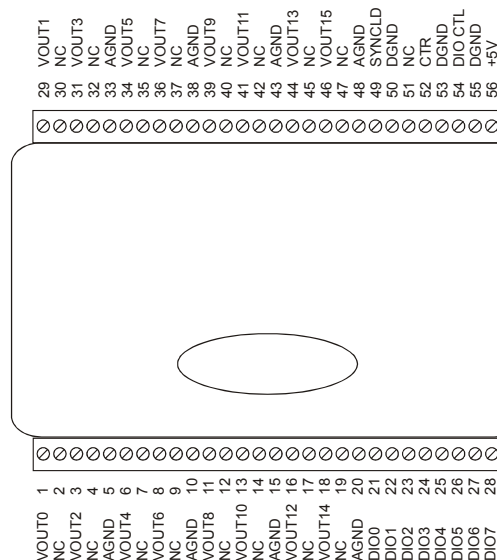


Figure 5. RedLab 3114 signal pin out

Analog voltage output terminals (VOUT0 to VOUT15)

The screw terminal pins labeled **VOUT0** to **VOUT15** are voltage output terminals (see Figure 5). The voltage output range for each channel is software-programmable for either bipolar or unipolar. The bipolar range is ± 10 V, and the unipolar range is 0 to 10 V. The channel outputs may be updated individually or simultaneously.

Digital I/O terminals (DIO0 to DIO7)

You can connect up to eight digital I/O lines to the screw terminals labeled **DIO0** to **DIO7** (pins 21 through 28). You can configure each digital port for either input or output.

When you configure the digital bits for input, you can use the digital I/O terminals to detect the state of any TTL level input. Refer to the switch shown in Figure 6 and the schematic shown in Figure 7. When the switch

is set to the +5 V USER input, DIO7 reads *TRUE* (1). If you move the switch to DGND, DIO7 reads *FALSE* (0).

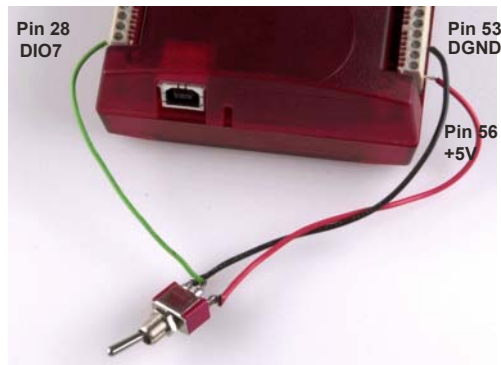


Figure 6. DIO7 detecting the state of a switch

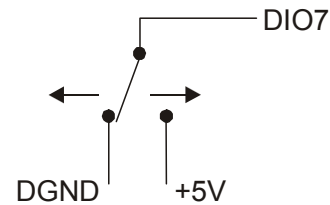


Figure 7. Schematic showing DIO7 detecting the state of a switch

For more information on digital signal connections

For more information on digital signal connections and digital I/O techniques, refer to the *Guide to Signal Connections* (available on our RedLab CD (root directory)).

Digital I/O control terminal (DIO CTL) for pull-up/down configuration

All digital pins are floating by default. When inputs are floating, the state of unwired inputs are undefined (they may read high or low). You can configure the inputs to read a high or low value when they aren't wired. Use the **DIO CTL** connection (pin 54) to configure the digital pins for pull-up (inputs read high when unwired) or pull-down (inputs read low when unwired).

- To pull up the digital pins to +5V, wire the **DIO CTL** terminal pin to the **+5V** terminal pin (pin 56).
- To pull down the digital pins to ground (0 volts), wire the **DIO CTL** terminal pin to a **DGND** terminal pin (pin 50, 53, or 55).

Ground terminals (AGND, DGND)

Eight analog ground (**AGND**) connections provide a common ground for all analog voltage output channels. Three digital ground (**DGND**) connections provide a common ground for the **DIO**, **CTR**, **SYNCLD** and **+5V** connections.

Synchronous DAC load terminal (SYNCLD)

The synchronous DAC load connection (pin 49) is a bidirectional I/O signal that allows you to simultaneously update the DAC outputs on multiple devices. You can use this pin for two purposes:

- Configure as an input (slave mode) to receive the D/A LOAD signal from an external source.

When the SYNCLD pin receives the trigger signal, the analog outputs are updated simultaneously.

SYNCLD pin must be logic low in slave mode for immediate update of DAC outputs

When the SYNCLD pin is in slave mode, the analog outputs can be updated immediately or when a positive edge is seen on the SYNCLD pin (this is under software control.)

The SYNCLD pin must be at a low logic level for DAC outputs to update immediately. If the external source supplying the D/A LOAD signal is pulling the SYNCLD pin high, no update will occur.

Refer to the "RedLab-3100 Series" section in the *Universal Library User's Guide* for information on how to update DAC outputs immediately.

- Configure as an output (master mode) to send the internal D/A LOAD signal to the SYNCLD pin.

You can use the SYNCLD pin to synchronize with a second RedLab 3114 and simultaneously update the DAC outputs on each device. Refer to the "[Synchronizing multiple units](#)" section on page 18.

Use *InstaCal* to configure the SYNCLD mode as master or slave. On power up and reset the SYNCLD pin is set to slave mode (input).

Refer to the "RedLab-3100 Series" section in the *Universal Library User's Guide* for information on how to configure the RedLab 3114 with the Universal Library.

Counter terminal (CTR)

The **CTR** connection (pin 52) is the input to the 32-bit event counter. The internal counter increments when the TTL levels transition from low to high. The counter can count frequencies of up to 1 MHz.

Power terminal (+5V)

The **+5 V** connection (pin 56) draws power from the external power connector. This terminal is a +5V output.

Caution! The +5V terminal is an output. Do not connect to an external power supply or you may damage the RedLab 3114 and possibly the computer.

Synchronizing multiple units

You can connect the **SYNCLD** terminal pin (pin 49) of two RedLab 3114 units together in a master/slave configuration and simultaneously update the DAC outputs of both devices. Do the following.

- 1 Connect the SYNCLD pin of the master RedLab 3114 to the SYNCLD pin of the slave RedLab 3114.
- 2 Configure the SYNCLD pin on the slave device for input to receive the D/A LOAD signal from the master device. Use *InstaCal* to set the direction of the SYNCLD pin.
- 3 Configure the SYNCLD pin on the master device for output to generate an output pulse on the SYNCLD pin.

Set the Universal Library `SIMULTANEOUS` option for each device. Refer to the *Universal Library User's Guide* for information on how to configure the RedLab 3114 with the Universal Library.

When the SYNCLD pin on the slave device receives the signal, the analog output channels on each device are updated simultaneously.

An example of a master/slave configuration is shown here.

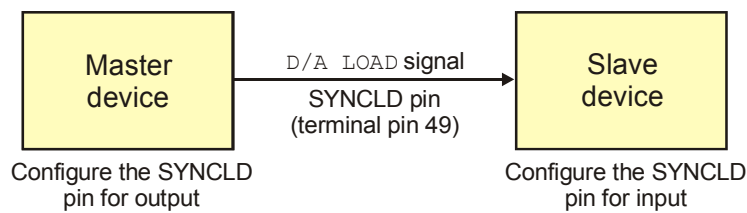


Figure 8. Synchronizing the update of multiple units

Specifications

Typical for 25 °C unless otherwise specified.

Specifications in *italic text* are guaranteed by design.

Analog voltage output

Table 1. Analog voltage output specifications

Parameter	Conditions	Specifications
Digital to Analog converter		DAC8554
Number of channels		16
Resolution		16 bits
Output ranges	Calibrated	±10 V, 0 to 10 V Software configurable
	Un-calibrated	±10.2 V, -0.04 to 10.08 V Software configurable
Output Transient	±10 V to (0 to 10 V) or (0 to 10 V) to ±10 V range selection (Note 1)	Duration 5 µS typ. Amplitude 5 V p-p typ
	Host PC is reset, powered up, suspended or a reset command is issued to device. (Note 2)	Duration 2 S typ. Amplitude 2 V p-p typ
	Initial power on.	Duration 50 mS typ. Amplitude 5 V peak typ
Differential non-linearity (Note 3)	Calibrated	±1.25 LSB typ. -2 LSB to +1 LSB max.
	Un-calibrated	±0.25 LSB typ. ±1 LSB max
Output current (Note 4)	VOUTx pins	±40 mA max.: single channel ±180mA max.: total load current
Output short-circuit protection (Note 4)	VOUTx connected to AGND	100 mS max.
Output coupling		DC
Power on and reset state		DACs clear to zero-scale: 0 V, ±50 mV typ.
		Output range: 0-10V
Output noise	0 to 10 V range	14.95 µVrms typ.
	±10 V range	31.67 µVrms typ.
<i>Settling time</i>	<i>to 1 LSB accuracy</i>	<i>25 µS typ.</i>
Slew rate	0 to 10 V range	2.0 V/µS typ.
	±10 V range	4.0 V/µS typ.
Throughput	single channel	100 Hz max., system dependent
	multi-channel	100 Hz/#ch max., system dependent

Note 1: The RedLab 3114 output voltage level defaults to 0V whenever the output voltage range is reconfigured.

The RedLab 3114 output voltage level will also default to 0V:

- 1) Whenever the host PC is reset, shut down or suspended
- 2) If a reset command is issued to the device.

Note 2: The duration of this particular output transient is highly dependent on the enumeration process of the host PC. Typically the output of the RedLab 3114 is stable after 2 seconds.

Note 3: The maximum differential non-linearity specification applies to the entire 0 to 50 °C temperature range of the RedLab 3114. This specification also accounts for the maximum errors due to the software calibration algorithm (in Calibrated mode only) and the DAC8554 digital to analog converter non-linearities.

Note 4: The RedLab 3114 voltage outputs should not be kept in a short-circuit condition for longer than the specified limit of 100 ms. For those applications that may potentially exceed the 40 mA maximum current limit or the 100 ms short-circuit condition, external current limiting must be used to prevent potential damage to the RedLab 3114.

Table 2. Absolute accuracy specifications – calibrated output, VOUTx Rload = 20 mA fixed resistive load

Range	Accuracy (\pm LSB)
\pm 10 V	14.0
0 to 10 V	22.0

Table 3. Absolute accuracy components specifications – calibrated output

Range	% of reading	Offset (\pm mV)	Temp drift (%/°C)	Absolute accuracy at FS (\pm mV)
\pm 10 V	\pm 0.0183	1.831	0.00055	3.661
0 to 10 V	\pm 0.0183	0.915	0.00055	2.746

Table 4. Relative accuracy specifications

Range	Relative accuracy (\pm LSB)	
\pm 10 V , 0 to 10 V	4.0 typ.	12.0 max.

Analog output calibration

Table 5. Analog output calibration specifications

Parameter	Conditions	Specifications
Recommended warm-up time		15 minutes min.
On-board precision reference		DC level: 5.000 V \pm 1 mV max.
		Tempco: \pm 10 ppm/°C max.
		Long term stability: \pm 10 ppm/SQRT(1000 hrs)
Calibration method	Voutx Rload = 20 mA fixed resistive load	Software calibration
Calibration interval		1 year

Digital input/output

Table 6. Digital I/O specifications

Digital logic type	CMOS
Number of I/O	8
Configuration	Independently configured for input or output
Pull-up/pull-down configuration (Note 5)	User configurable All pins floating (default)
Digital I/O input loading	TTL (default) 47 K ohms (pull-up/pull down configurations)
Digital I/O transfer rate (system paced)	System dependent, 33 to 1000 port reads/writes or single bit reads/writes per second.
Input high voltage	2.0 V min, 5.5 V absolute max
Input low voltage	0.8 V max, -0.5 V absolute min
Output high voltage (IOH = -2.5 mA)	3.8 V min
Output low voltage (IOL = 2.5 mA)	0.7 V max
Power on and reset state	Input

Note 5: Pull up and pull down configuration area available using the DIO CTL terminal block pin 54. The pull down configuration requires the DIO CTL pin (pin 54) to be connected to a DGND pin (pin 50, 53 or 55). For a pull up configuration, the DIO CTL pin should be connected to the +5V terminal pin (pin 56).

Synchronous DAC Load

Table 7. SYNCLD I/O specifications

Parameter	Conditions	Specification
Pin name		SYNCLD (terminal block pin 49)
Power on and reset state		Input
Pin type		Bidirectional
Termination		Internal 100K ohms pull-down
Software selectable direction	Output	Outputs internal D/A LOAD signal.
	Input	Receives D/A LOAD signal from external source.
Input clock rate		100 Hz max
Clock pulse width	Input	1 μ s min
	Output	5 μ s min
<i>Input leakage current</i>		$\pm 1.0 \mu A$ typ.
Input high voltage		4.0 V min, 5.5 V absolute max
Input low voltage		1.0 V max, -0.5 V absolute min
Output high voltage (Note 6)	IOH = -2.5 mA	3.3 V min
	No load	3.8 V min
Output low voltage (Note 6)	IOL = 2.5 mA	1.1 V max
	No load	0.6 V max

Note 6: SYNCLD is a Schmitt trigger input and is over-current protected with a 200 Ohm series resistor.

Note 7: When SYNCLD is in input mode, the analog outputs may either be updated immediately or when a positive edge is seen on the SYNCLD pin (this is under software control.) However, the pin must be at a low logic level in order for the DAC outputs to be updated immediately. If an external source is pulling the pin high, no update will occur.

Counter

Table 8. CTR I/O specifications

Parameter	Conditions	Specification
Pin name		CTR
Number of channels		1
Resolution		32-bits
Counter type		Event counter
Input type		TTL, rising edge triggered
Counter/timer read/writes rates (software paced)	Counter read	System dependent, 33 to 1000 reads per second.
	Counter write	System dependent, 33 to 1000 reads per second.
Schmidt trigger hysteresis		20 mV to 100 mV
<i>Input leakage current</i>		$\pm 1.0 \mu A$ <i>typ.</i>
Input frequency		1 MHz max.
<i>High pulse width</i>		<i>500 nS min.</i>
<i>Low pulse width</i>		<i>500 ns min.</i>
Input high voltage		4.0 V min, 5.5 V absolute max
Input low voltage		1.0 V max, -0.5 V absolute min

Memory

Table 9. Memory specifications

EEPROM	256 bytes		
EEPROM configuration	Address range	Access	Description
	0x000-0x0FF	Read/write	256 bytes user data

Microcontroller

Table 10. Microcontroller specifications

<i>Type</i>	<i>High performance 8-bit RISC microcontroller</i>
<i>Program memory</i>	<i>16,384 words</i>
<i>Data memory</i>	<i>2,048 bytes</i>

Power

Table 11. Power specifications

Parameter	Conditions	Specification
Supply current	USB enumeration	< 100 mA
Supply current (Note 8)	Quiescent current	355 mA typ.
+5V user output voltage range (Note 9)	Available at terminal block pin 56	4.5 V min, 5.25 V max.
+5V user output current (Note 10)	Available at terminal block pin 56	10 mA max.
AC Power Adapter Requirements (Note 11)		
Output voltage		5V, $\pm 5\%$
Output wattage		10 watts
Power jack configuration		Two conductor
Power jack barrel diameter		6.3 mm
Power jack pin diameter		2.0 mm
Power jack polarity		Center positive

Note 8: This is the total quiescent current requirement for the RedLab 3114 which includes up to 10 mA for the status LED. This does not include any potential loading of the digital I/O bits, +5V user terminal or the VOUTx outputs.

Note 9: Output voltage range assumes external input power supply is within specified limits.

Note 10: This refers to the total amount of current that can be sourced from the +5V user terminal (pin 56) for general use. This specification also includes any additional contribution due to DIO loading.

Note 11: The RedLab 3114 product includes an AC power adapter .

USB specifications

Table 12. USB specifications

USB device type	USB 2.0 (full-speed)
USB device compatibility	USB 1.1, 2.0
USB cable length	3 meters max.
USB cable type	A-B cable, UL type AWM 2527 or equivalent (min 24 AWG VBUS/GND, min 28 AWG D+/D-).

Environmental

Table 13. Environmental specifications

Operating temperature range (Note 12)	0 to 50 °C
Storage temperature range	-40 to 85 °C
Humidity	0 to 90% non-condensing

Note 12: The environmental specifications listed in Table 13 apply only to the RedLab 3114 and not the AC power adapter.

Mechanical

Table 14. Mechanical specifications

Dimensions	127 mm (L) x 88.9 mm (W) x 35.56 (H)
------------	--------------------------------------

Main connector and pin out

Table 15. Main connector specifications

Connector type	Screw terminal
Wire gauge range	16 AWG to 30 AWG

Pin	Signal Name	Pin	Signal Name
1	VOUT0	29	VOUT1
2	NC	30	NC
3	VOUT2	31	VOUT3
4	NC	32	NC
5	AGND	33	AGND
6	VOUT4	34	VOUT5
7	NC	35	NC
8	VOUT6	36	VOUT7
9	NC	37	NC
10	AGND	38	AGND
11	VOUT8	39	VOUT9
12	NC	40	NC
13	VOUT10	41	VOUT11
14	NC	42	NC
15	AGND	43	AGND
16	VOUT12	44	VOUT13
17	NC	45	NC
18	VOUT14	46	VOUT15
19	NC	47	NC
20	AGND	48	AGND
21	DIO0	49	SYNCLD
22	DIO1	50	DGND
23	DIO2	51	NC
24	DIO3	52	CTR
25	DIO4	53	DGND
26	DIO5	54	DIO CTL
27	DIO6	55	DGND
28	DIO7	56	+5V

Meilhaus Electronic GmbH
Am Sonnenlicht 2
D-82239 Alling, Germany
Phone: +49 (0)8141 - 5271-0
Fax: +49 (0)8141 - 5271-129
E-Mail: sales@meilhaus.com
<http://www.meilhaus.com>