

Product Datasheet - Technical Specifications



More information in our Web-Shop at ► www.meilhaus.com

Your contact

Technical and commercial sales, price information,
quotations, demo/test equipment, consulting:

Tel.: **+49 - (0)81 41 - 52 71-0**

FAX: **+49 - (0)81 41 - 52 71-129**

E-Mail: sales@meilhaus.com

Meilhaus Electronic GmbH
Am Sonnenlicht 2
82239 Alling/Germany

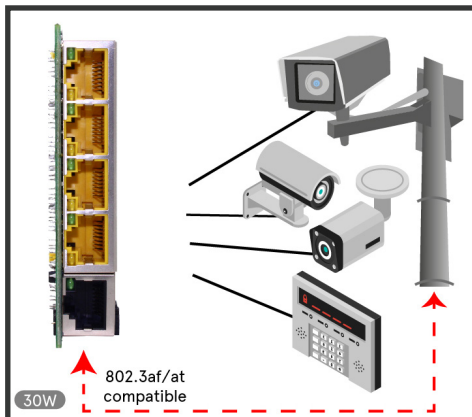
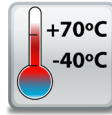
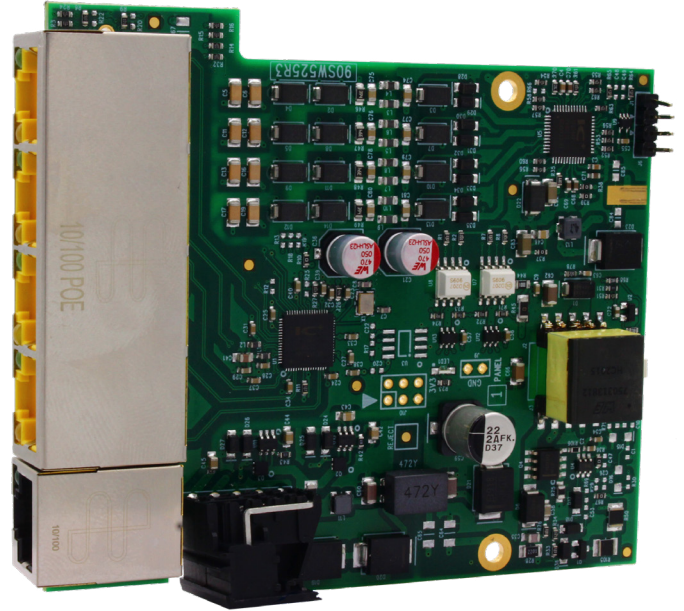
Tel. **+49 - (0)81 41 - 52 71-0**
Fax **+49 - (0)81 41 - 52 71-129**
E-Mail sales@meilhaus.com

Mentioned company and product names may be registered trademarks of the respective companies. Errors and omissions excepted. © Meilhaus Electronic.

SW-125 Embedded Industrial 5 Port PoE+ Ethernet Switch

5 Port (Ports 1-4 PoE+) Unmanaged 10/100 Ethernet Switch

- 5 port PoE+ 10/100 Fast Ethernet device
- Ports 1-4 PoE+ capable
- Fully compliant to IEEE 802.3af/at
- PoE Power Budget: 90W @ 70°C
- Industrial temp range: -40°C to +70°C
- Redundant dual power inputs: +44V to +57V DC
- Compact, embeddable design
- Allows power and data to be combined on the same Ethernet cable



Send power and data to remote CCTV cameras, PoE telephones, PoE Wifi access points, NVRs, and more



Embedded format, takes up minimal space, with mounting holes connected to Functional Earth



Provides additional Ethernet ports for your custom application

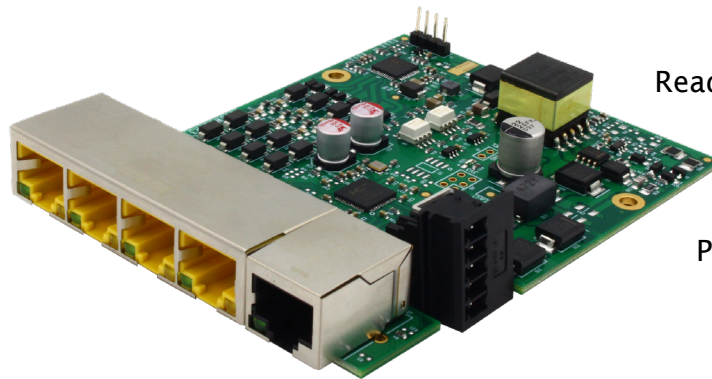
SW-125

Embedded Industrial 5 Port PoE+ Ethernet Switch

90W PoE Power Budget shared between 4 Ethernet Ports

-40°C to +70°C/-40°F to +158°F temperature range

Ports 1-4 IEEE 802.3af/ at compliant: deliver up to 30W to each port (backwards compatible)



Ready for embedded applications

Automatic detection of data transmission speed: 10 or 100 MBps

Power consumption is optimised based on the status of the link device

2k Byte maximum packet size – improves the efficiency of bulk data transfer and system performance

Easy Wire Removable screw terminal block

Dual redundant power input: +44VDC to +57VDC

Connectors

Screw Terminals

3.5mm pitch, #22 - #14, 0.5mm²-2.5mm² pin power supply

Wire Thickness

0.150 inch, 3.81mm, 20 pins, 12+8 screw terminals, #26 - #16 AWG, 0.14mm²-1.3mm²

Power Supply

Power Consumption

4 Watts Max : 91mAmps@+44VDC/70mAmps@+57VDC

PoE Power Budget

90W @ 70°C

Power Supply input

Unregulated +44V to +57Volts DC, reverse polarity protection

Isolation

1500VRMS Magnetic isolation from Ethernet

Environmental

Operating Temperature

-40°C to +70°C/-40°F to +158°F

Storage Temperature

-40°C to +70°C/-40°F to +158°F

Ambient Relative Humidity

5 to 95% (non-condensing)

Magjack LED Information

Link/Activity LED

Solid green

Connection established

Flashing Green

Data communication

PoE Power LED (Ports 1-4)

Solid Yellow

PoE Power ON

Flashing Yellow

Power Warning

Ethernet

Ethernet Port

5 x RJ45 jack, 10/100Mhz autosensing, crossover auto sensing (Auto MDIX)

Protection

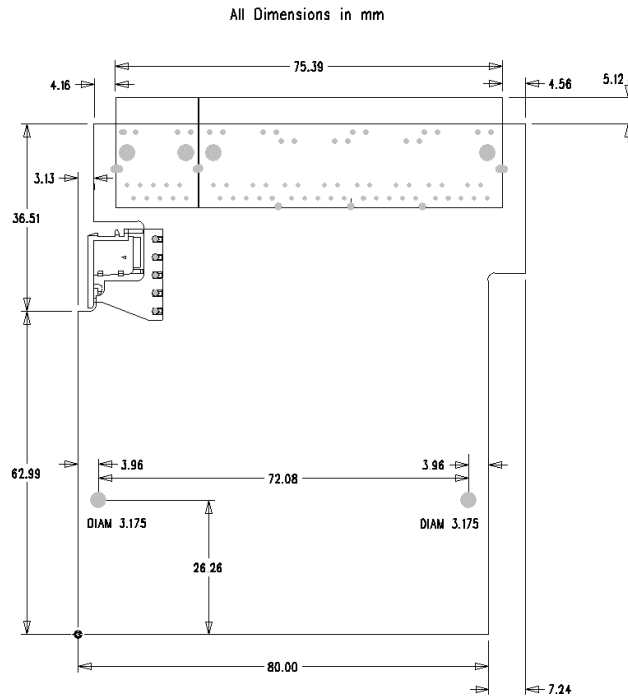
1,500 Volts magnetic isolation between ports

Housing

This device is uncased for embedded applications
The mounting holes are connected to Functional Earth

SW-125

Embedded Industrial 5 Port PoE+ Ethernet Switch



Ethernet Ports x4 Pin Outs

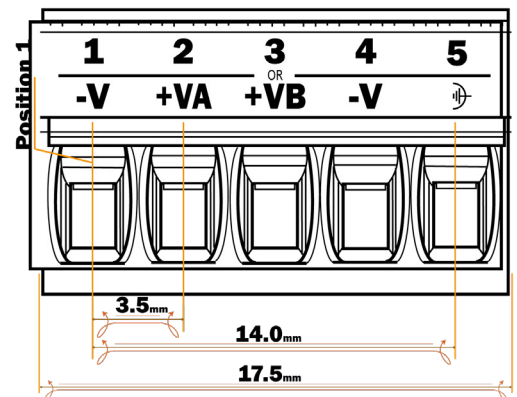
PoE Pinout 1/2(V+) 3/6(V-) Endspan Mode A

| PIN | FUNCTION | |
|-----|----------|-----|
| 1 | Tx+ | DC+ |
| 2 | Tx- | DC+ |
| 3 | Rx+ | DC- |
| 4 | unused | |
| 5 | unused | |
| 6 | TRx- | DC- |
| 7 | unused | |
| 8 | unused | |

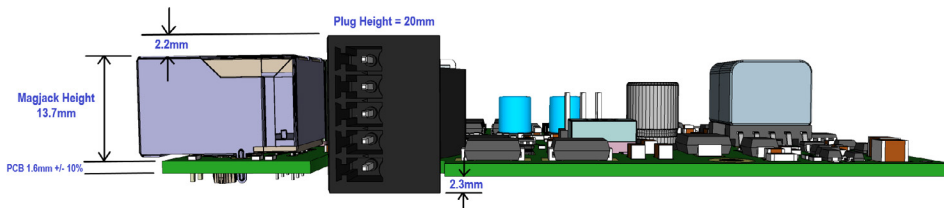
Power Terminal Pin Outs

| PIN | FUNCTION |
|-----|----------|
| 1 | -V |
| 2 | +VA |
| 3 | +VB |
| 4 | -V |

5 position 3.5mm pitch pluggable terminal block included



5 position 3.5mm pitch socket compatible with Euroblock pluggable terminal block connectors



Lifetime Warranty and Support:

We can help with every aspect of your project, from getting you up and running to custom application.

SW-125

Embedded Industrial 5 Port PoE+ Ethernet Switch

Product Information

| | |
|--------------------|----------------------------------|
| Product Weight | 0.076 kg, 2.68 ounces |
| Product Dimensions | 100x90x60 mm, 3.9x3.5x2.4 inches |

Packaging Information

| | |
|---------------------|-----------------------------------|
| Packaging | Quick Start Guide, Device |
| Packaged Weight | 0.226 kg, 7.97 ounces |
| Packaged Dims | 160x135x49 mm, 6.3x5.3x1.9 inches |
| GTIN Universal Code | 837324004588 |

Industry Approvals

| | |
|--------------------|---|
| Industry Approvals | METLABS E112324 complies with UL62368-1, CSA C22.2, No. 62368-1 Microsoft Certified Gold Partner, WEEE, RoHS, AEO (C-TPAT), CE, UKCA |
| HTS | 8517620000 |
| ECCN | 5A991.b |
| CAGE | 8QCY6 |

Warranty

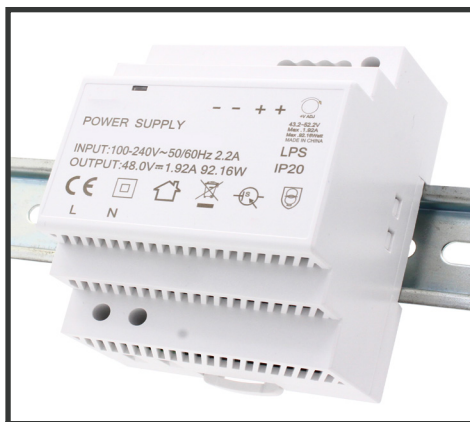
| | |
|----------|---|
| Warranty | Lifetime - online registration required |
| Support | Lifetime Web, Email & Phone Support from fully qualified, friendly staff who work in and alongside the Product Development Team |

Standards

| | |
|-------------------------|----------------------------------|
| Standards | ISO9001, ISO14001 |
| OEM option | Available for bulk buy OEM |
| COO (Country of Origin) | GB |
| Made In | Manufactured in GB by Brainboxes |



PW-323
PoE Splitter



PW-301
DIN Rail Power Supply



SW Range
Switch products available in a range of formats and specifications.