

Product Datasheet - Technical Specifications



More information in our Web-Shop at ► www.meilhaus.com

Your contact

Technical and commercial sales, price information,
quotations, demo/test equipment, consulting:

Tel.: **+49 - (0)81 41 - 52 71-0**

FAX: **+49 - (0)81 41 - 52 71-129**

E-Mail: sales@meilhaus.com

Meilhaus Electronic GmbH
Am Sonnenlicht 2
82239 Alling/Germany

Tel. **+49 - (0)81 41 - 52 71-0**
Fax **+49 - (0)81 41 - 52 71-129**
E-Mail sales@meilhaus.com

Mentioned company and product names may be registered trademarks of the respective companies. Errors and omissions excepted. © Meilhaus Electronic.

RF HOUSINGS

The TBRFH3 series of RF housings are ideal for prototyping RF building blocks such as power splitters, directional couplers, mixers, etc. The housings are milled from aluminium and equipped with N-female connectors.

The TBRFH4 housing is ideal for RF building blocks such as amplifiers or similar. The housing is milled from aluminium and equipped with SMA-female connectors and a feed through capacitor for the power supply line.



TBRFH3 - 5527



TBRFH3 - 5555



TBRFH4



TBRFH4, interior

1 Technical data

Part #	Outer dimensions [mm]	inner dimensions [mm]	Material	Surface finishing	RF connectors	detail	Weight [g]
TBRFH3-5527	55 x 27,5 x 21,5	45 x 14,5 x 11,5	Alu A6061	brushed, linear	N-Female	-	130
TBRFH3-5555	55 x 55 x 21,5	45 x 45 x 11,5	Alu A6061	brushed, linear	N-Female	-	185
TBRFH4	48 x 76 x 12	40,2 x 67,7 x 6,5	Alu A6061	sandblasted	SMA-Female	Feed through capacitor, 10nF, 50V	

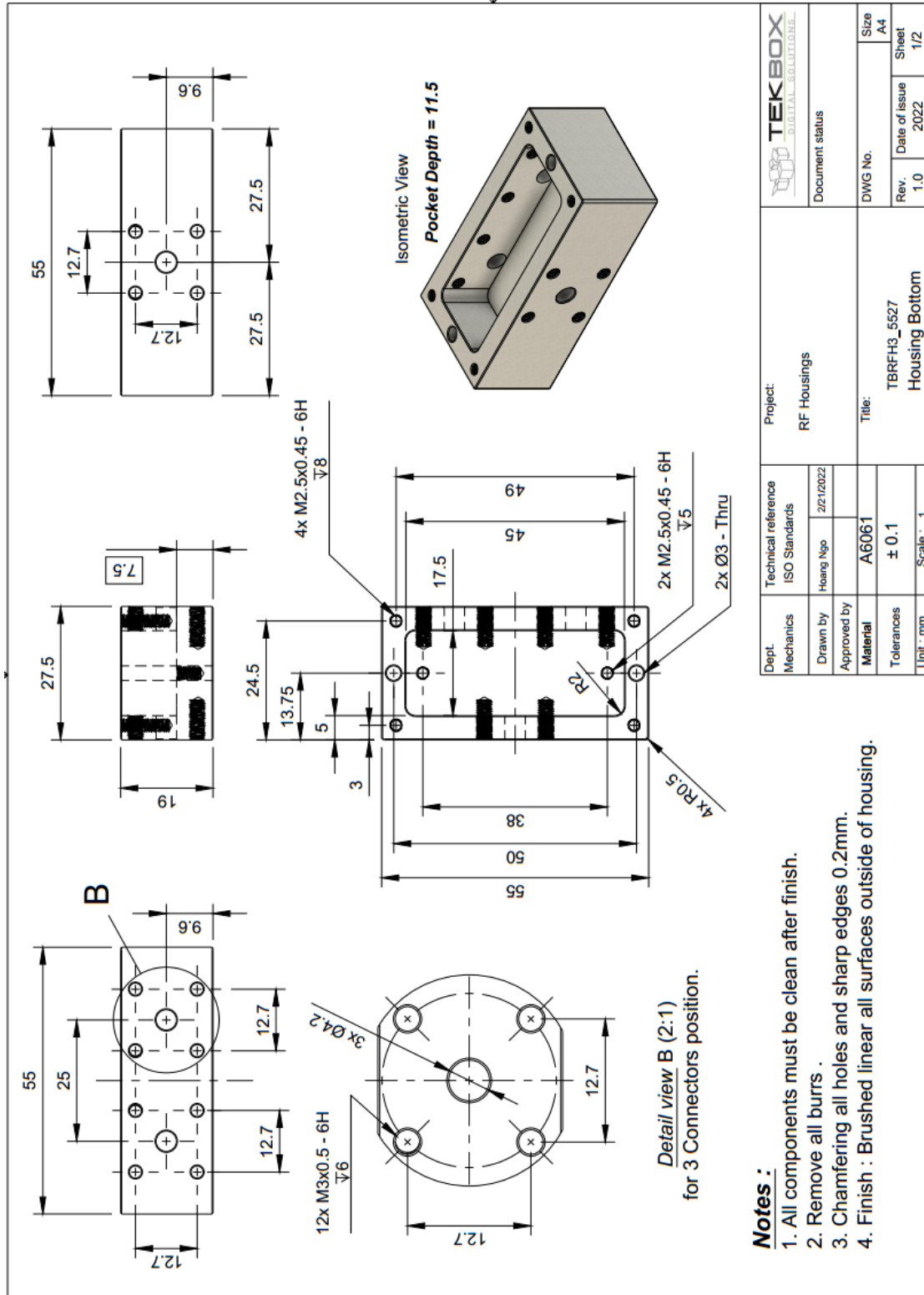
2 Customization

Contact us, if you need customized housings. Following details can be customized, depending on ordering volume:

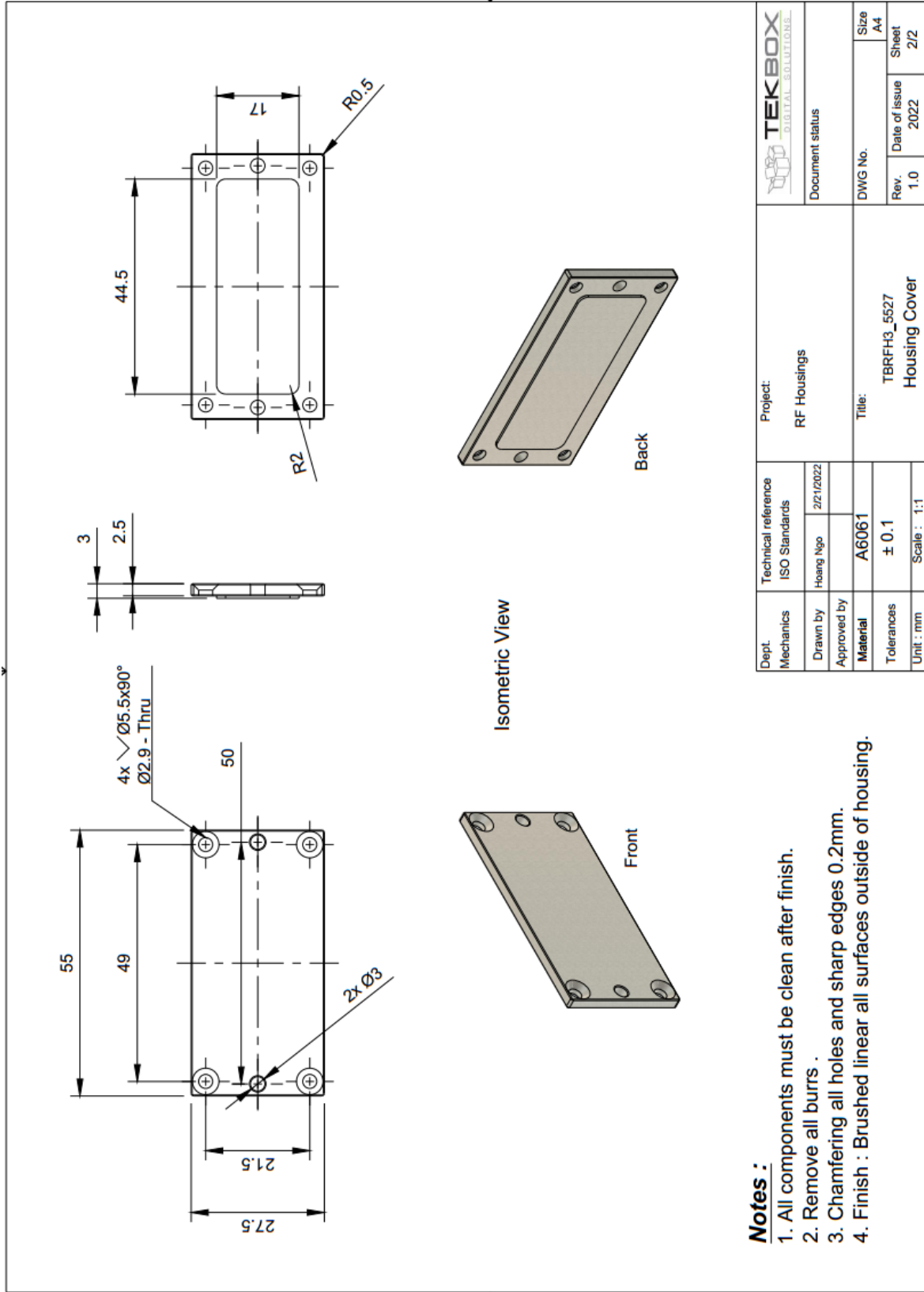
- RF connectors
- Absorbing foam
- Position and number of feed-through capacitors
- Laser engraving
- Surface finishing

RF HOUSINGS

3 Mechanical drawings

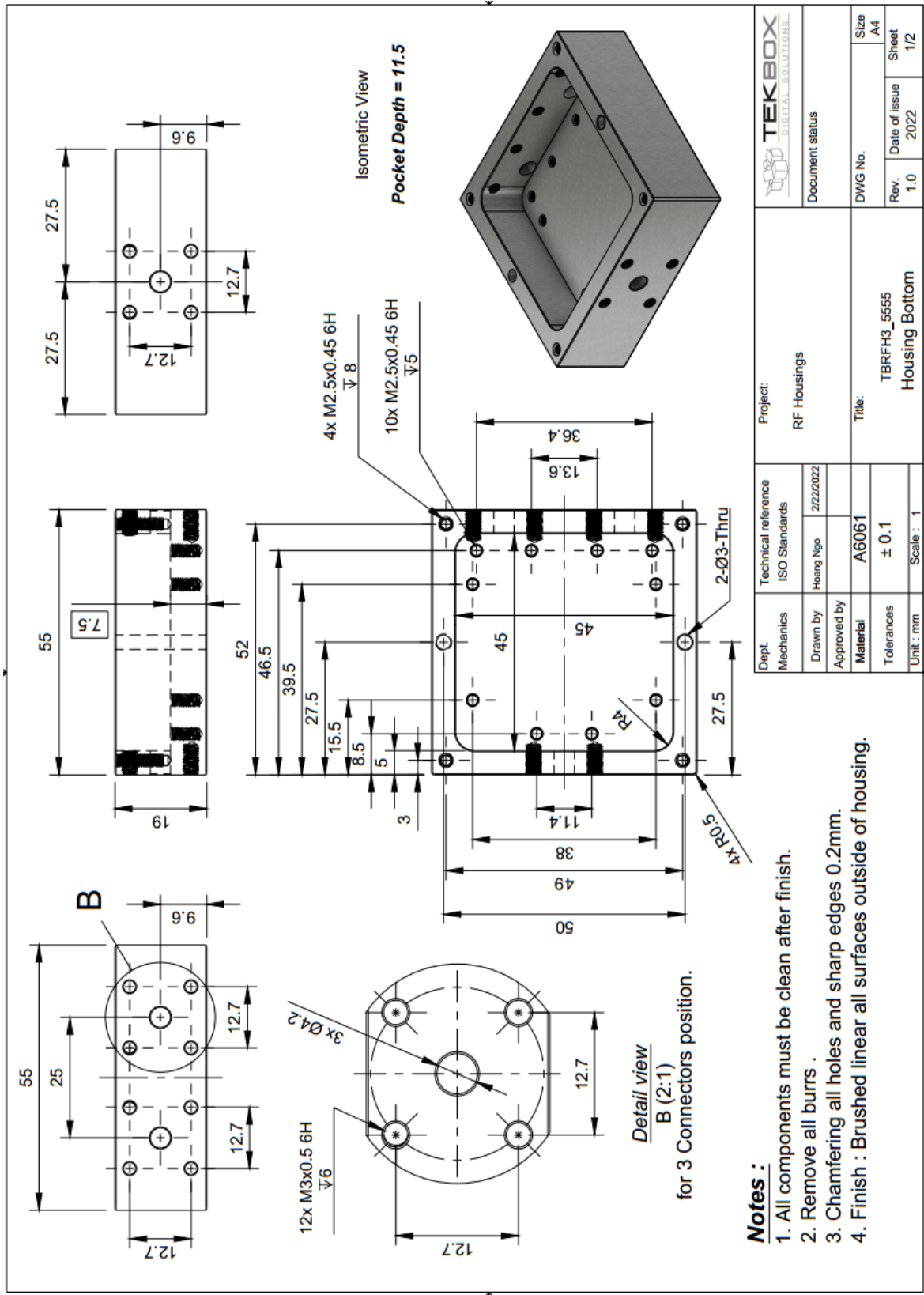


RF HOUSINGS



Dept. Mechanics	Technical reference	Project: RF Housings	Document status	Size A4
	ISO Standards			
Drawn by	Hoang Ngo	Title: TBRFH3_5527 Housing Cover		Rev. 1.0
Approved by				Sheet 2/2
Material	A6061			
Tolerances	± 0.1			
Unit : mm	Scale : 1:1			

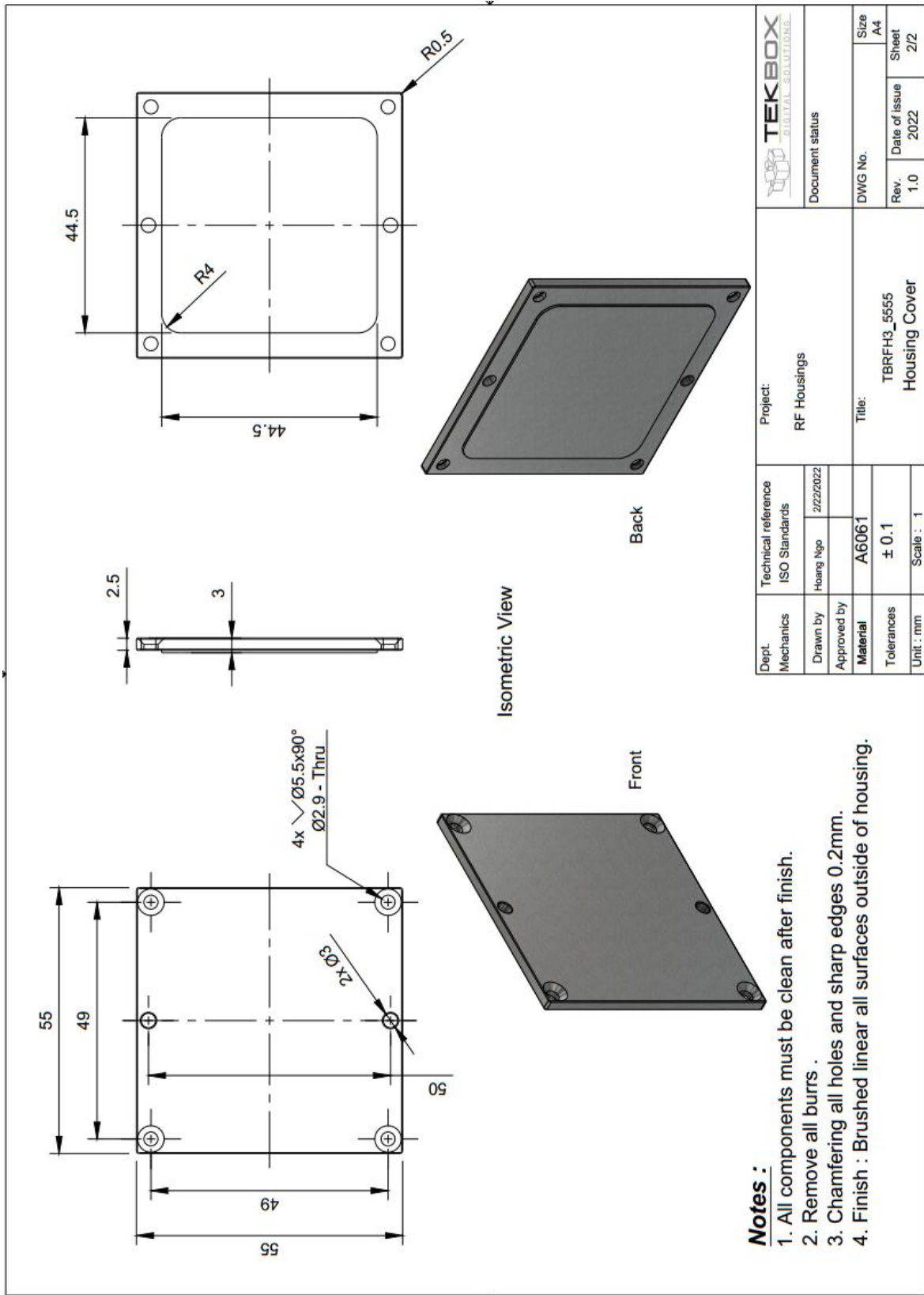
RF HOUSINGS



Dept.	Technical reference	Project:	Size
Mechanics	ISO Standards	RF Housings	A4
Drawn by	Hoang Ngo	Document status	
Approved by	2/22/2022		
Material	A6061	DWG No.	
Tolerances	± 0.1	Rev.	1.0
Unit : mm	Scale : 1	Date of Issue	2022
		Sheet	1/2
		Title: TBRFH3_5555 Housing Bottom	

- Notes :**
1. All components must be clean after finish.
 2. Remove all burrs .
 3. Chamfering all holes and sharp edges 0.2mm.
 4. Finish : Brushed linear all surfaces outside of housing.

RF HOUSINGS



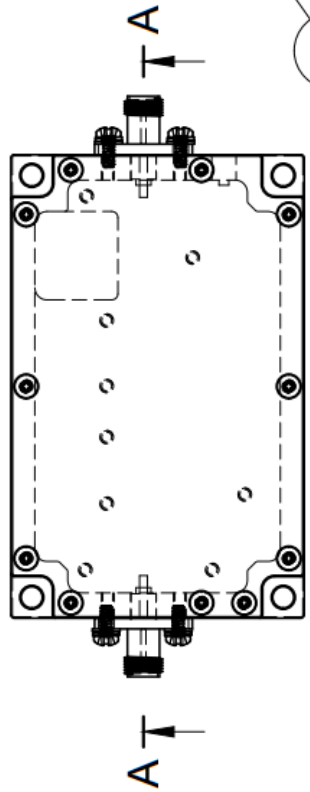
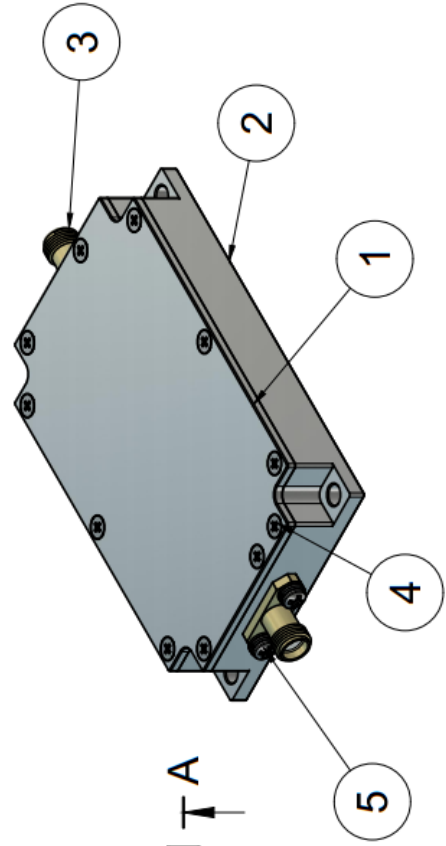
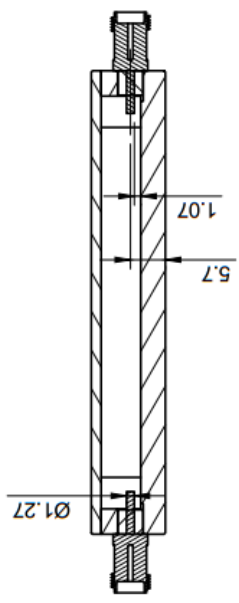
Notes :

1. All components must be clean after finish.
2. Remove all burrs .
3. Chamfering all holes and sharp edges 0.2mm.
4. Finish : Brushed linear all surfaces outside of housing.

Dept. Mechanics	Technical reference ISO Standards	Project: RF Housings		TEKBOX DIGITAL SOLUTIONS	
Drawn by	Hoang Ngo	Document status		DWG No.	Size A4
Approved by	2/22/2022	Title: TBRFH3_5555 Housing Cover		Rev. 1.0	Date of Issue 2022
Material	A6061	Tolerances		± 0.1	Sheet 2/2
Unit : mm	Scale : 1				

RF HOUSINGS

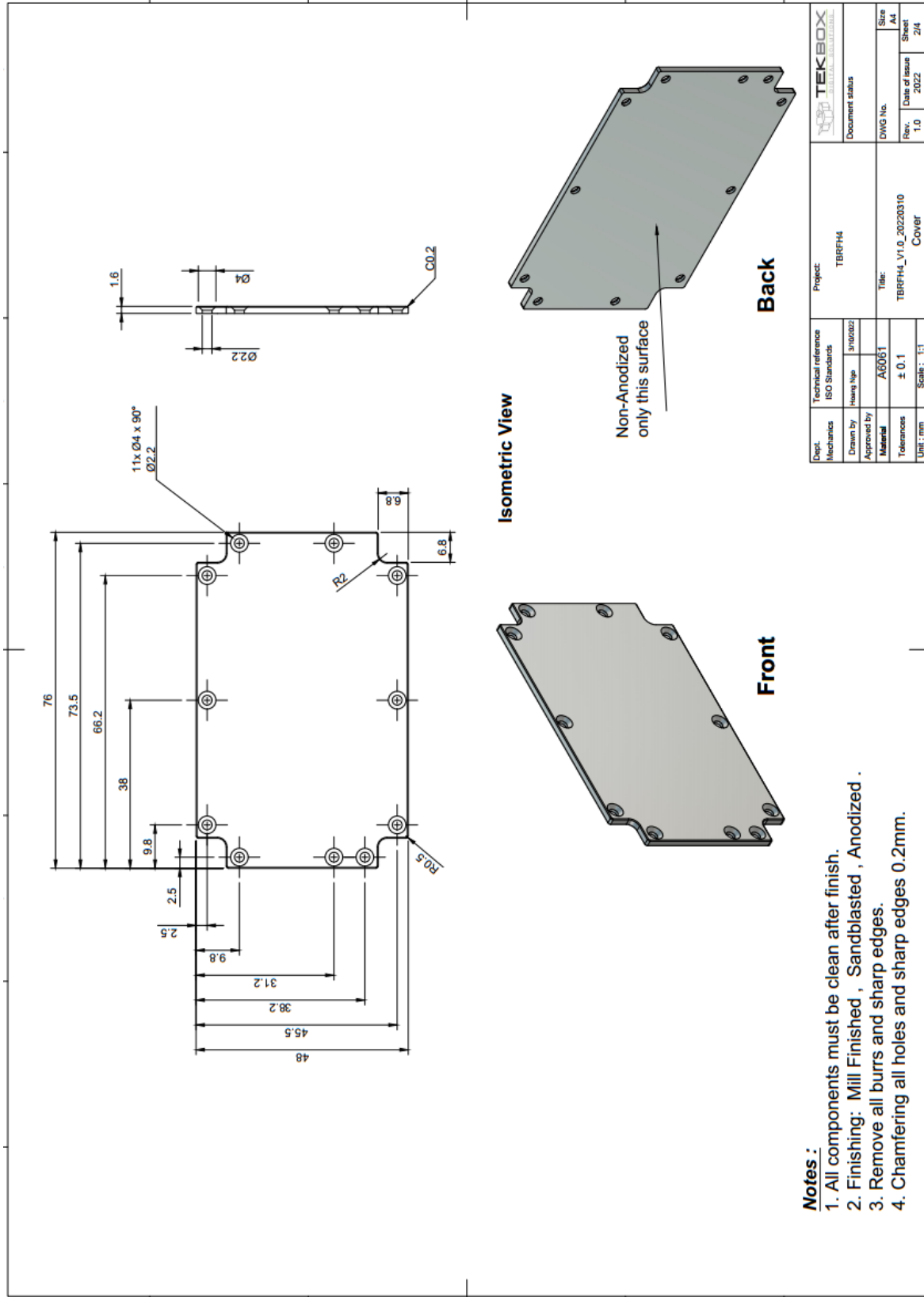
Parts List				
Item	Qty	Part Number	Material	
1	1	Cover	Aluminum 6061	
2	1	Bottom	Aluminum 6061	
3	2	SMA_connector	Default	
4	11	M2x5_Phillips Flat Head Screw	Stainless Steel	
5	4	M2x5_Pan Head Phillips Screws with captive washer	Stainless Steel	



Dept. Mechanics	Technical reference ISO Standards	Project: TBRFH4	TEKBOX DIGITAL SOLUTIONS
Drawn by Hoang Ngo	3/10/2022	Document status	
Approved by Minh Nguyen		DWG No.	Size A4
Material		Rev. 1.0	Date of Issue 2022
Tolerances		Title: TBRFH4_V1.0_20220310	Sheet 1/4
Unit : mm	Scale : 1:1		

Technical Requirements :
 1. All components must be clean after finish.
 2. Finishing : Anodized (Silver Anodized).

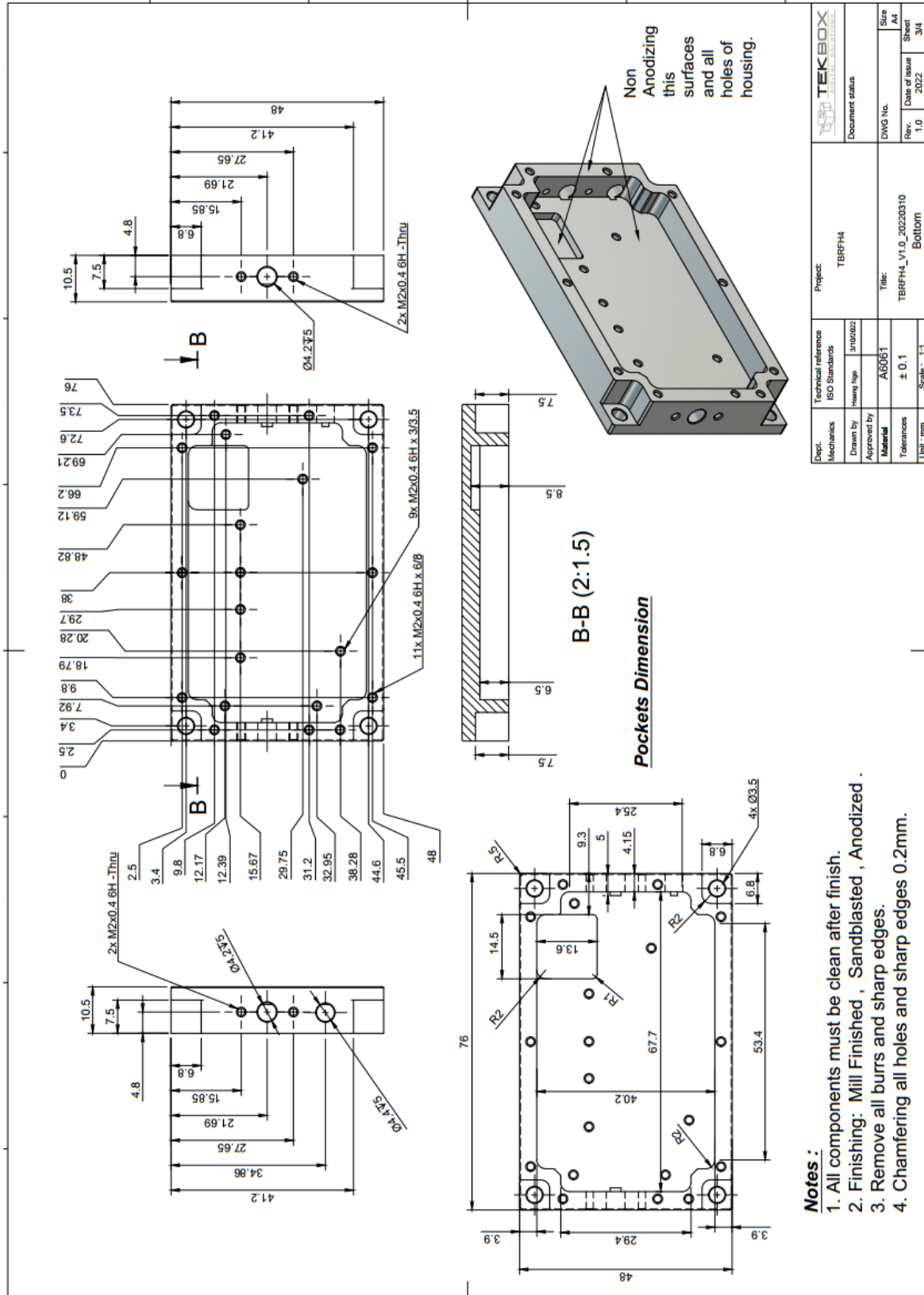
RF HOUSINGS



- Notes :**
1. All components must be clean after finish.
 2. Finishing: Mill Finished , Sandblasted , Anodized .
 3. Remove all burrs and sharp edges.
 4. Chamfering all holes and sharp edges 0.2mm.



RF HOUSINGS



		Project: TBRFH4 Document status:	
Dept: Mechanics Drawn by: 3106/022 Approved by: Material: AC051 Tolerances: ± 0.1 Unit: mm Scale: 1:1	Title: TBRFH4_V1.0_2020310 Bottom	DWG No. Rev: 1.0 Date of Issue: 2022	Size: A4 Sheet: 3/4

- Notes :**
1. All components must be clean after finish.
 2. Finishing: Mill Finished , Sandblasted , Anodized .
 3. Remove all burrs and sharp edges.
 4. Chamfering all holes and sharp edges 0.2mm.

RF HOUSINGS

4 Ordering Information

Part Number	Description
TBRFH3-5527	55 x 27,5 x 21,5 mm RF housing, pre-assembled with N-female connectors
TBRFH3-5555	55 x 55 x 21,5 mm RF housing, pre-assembled with N-female connectors
TBRFH4	48 x 76 x 12 mm RF housing, pre-assembled with SMA-female connectors and feed through capacitor

5 History

Version	Date	Author	Changes
V 1.0	10.6.2022	Mayerhofer	Creation of the document