

## Product Datasheet - Technical Specifications



More information in our Web-Shop at ► [www.meilhaus.com](http://www.meilhaus.com) and in our download section.

### Your contact

Technical and commercial sales, price information,  
quotations, demo/test equipment, consulting:

Tel.: **+49 - 81 41 - 52 71-0**

FAX: **+49 - 81 41 - 52 71-129**

E-Mail: [sales@meilhaus.com](mailto:sales@meilhaus.com)

Downloads:

[www.meilhaus.com/en/infos/download.htm](http://www.meilhaus.com/en/infos/download.htm)

**Meilhaus Electronic GmbH** | Tel. **+49 - 81 41 - 52 71-0**  
Am Sonnenlicht 2 | Fax **+49 - 81 41 - 52 71-129**  
82239 Alling/Germany | E-Mail [sales@meilhaus.com](mailto:sales@meilhaus.com)

Mentioned company and product names may be registered trademarks of the respective companies. Prices in Euro plus VAT. Errors and omissions excepted.  
© Meilhaus Electronic.

[www.meilhaus.de](http://www.meilhaus.de)

# US-320

US-320 - Small Profile USB 1 Port RS422/485

## US-320

### US-320 - Small Profile USB 1 Port RS422/485

- Our smallest form factor USB to Serial
- High retention USB connector for an unshakeable connection
- Comes with 0.5m USB cable
- Works where many other USB to Serial devices do not
- Industrial Specification: IP-50  
-40 °C to +80 °C / -40 °F to +176 °F



### Ultra small USB to serial adapter suitable for any environment

Have confidence, this product will match whatever baud rate your equipment needs without data loss. Includes large 512 Byte TxD and RxD FIFOs supporting high data throughput at high baud rates. Works across the full spectrum of baud rates up to 921,600 including standard and arbitrary values.

We provide our own software drivers - eliminating many common problems with USB to Serial - giving you have a reliable, stable, native com port solution.

*"I have tried many off the shelf USB to Serial adapters. Some break easily, others only work some of the time. Brainboxes installed in seconds and could communicate with anything I threw at it, I would recommend this device to anyone."*

*Colin Young, Nutek Europe*



Drivers for all popular operating systems including latest Windows

The high retention USB connection requires a minimum withdrawal requirement of 15N (thats a force of 1.5Kg or 3.4lbs). Connectors have orange color-coded insulator to differentiate from standard USB connectors. The connection is so strong that the port is capable of taking the weight of a bottle of champagne.



# US-320 - Small Profile USB 1 Port RS422/485

**Housing and connectors**  
 IP-50 rated non-conducting polyamide case  
 DB9 Connector - 9 Pin Male  
 High Retention USB Connector  
 Wall mounting screw recess

**Environmental**  
 Operating Temperature -40°C to +80°C / -40°F to +176°F

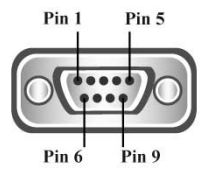
**Power Supply**  
 Power Consumption 50mA @ 5V  
 Power Supply input +5V through USB cable (supplied)



**Port Settings - RS422/485**  
 Baud Rate From 110 - 1 MegaBaud - Any custom Baud rate accepted  
 Data Bits 5,6,7 or 8  
 Parity Odd, Even, None, Mark or Space  
 Stop Bits 1 or 2  
 Flow Control RTS/CTS, XON/XOFF  
 Tx/Rx Modes Full Duplex, Half Duplex Autogating

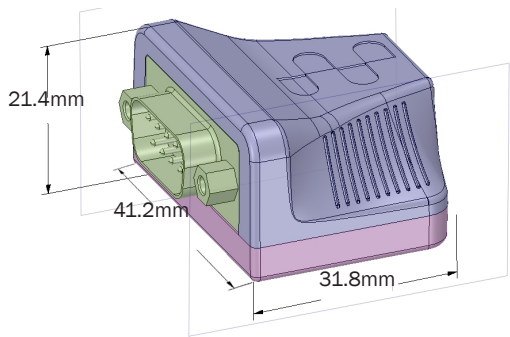
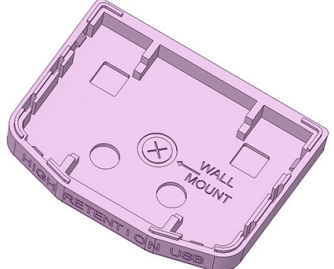
## RS422/485

RS422/485 Pinout (9 Pin)	
Pin 1	TXD-
Pin 2	TXD+
Pin 3	RTS-
Pin 4	RTS+
Pin 5	GND
Pin 6	RXD-
Pin 7	RXD+
Pin 8	CTS
Pin 9	CTS+



IP-50 rated non-conducting case

Wall mounting option



**Lifetime Warranty and Support:**  
 We can help with every aspect of your project, from getting you up and running to custom application.



**Optional: US-063 USB Type A Plug to Type B Plug 1000mm**  
 1m cable available: US-063  
 Brainboxes have additional and alternative length cables available that are compatible with this product



**Packaging Information**  
 Packaging Installation CD including manual, Microsoft signed drivers & utilities, Quick Start Guide  
 Packaged Weight 0.155 kg, 5.47 ounces  
 Packaged Dims 160x135x45 mm, 6.3x5.3x1.8 inches  
 GTIN Universal Code 837324003673